



ESTABLISHED 1957

**AUSTRALIAN
SHEPHERD CLUB
OF AMERICA®**

**OBEDIENCE RULES
AND
REGULATIONS**

**Australian Shepherd Club of America®
6091 E State Highway 21
Bryan, TX 77805-3790
979-778-1082**

JANUARY 1, 2012 Edition

These amended Rules and Regulations are effective January 1, 2012.

Shaded areas represent rule changes with effective date listed.

NOTE: BE SURE TO ORDER THE 6/1/2012 EDITION OF THIS RULEBOOK. THE COMMITTEE PASSED MANY CHANGES AND CORRECTIONS TO THIS RULEBOOK THAT ARE EFFECTIVE AT THE BEGINNING OF THE NEW ASCA TRIAL YEAR.

Individual copies of this rulebook are \$2.50 for Full members and \$5.00 for Service members

Reprint Date: 1-1-12

TABLE OF CONTENTS (shaded areas indicate change)

PAGE	
9	REFERENCE SHEET
10	OBEDIENCE REGULATIONS
10	PURPOSE
10	CODE OF ETHICS FOR ASCA® OBEDIENCE JUDGES
11	OBEDIENCE JUDGE REQUIREMENTS (effective 1/2012)
11	CHAPTER 1: GENERAL REGULATIONS
11	Section 1: Clubs
13	Section 2 Obedience Classes
14	Section 3: Obedience Trial Committee
14	Section 4: Dog Show Rules & Regulations
14	Section 5: Identification
14	Section 6: Immediately Family
14	Section 7: Registered Dogs Only
14	Section 8: Unregistered Dogs
14	Section 9: Dogs That May Not Compete
15	Section 10: Qualifying Score
15	Section 11: When Titles Are Won
15	Section 12: Disqualification and Ineligibility
16	Section 13: Disturbances
16	Section 14: Obedience Ribbons
17	Section 15: Ribbons and Prizes
17	Section 16: Highest Scoring Dog in the Regular Classes
18	Section 17: High Score Junior Handler
18	Section 18: Risk
18	Section 19: Decisions
18	Section 20: Dogs That Must Compete
18	Section 21: Judging Program

19	Section 22: Limitation of Entries
19	Section 23: Additional Judges, Reassignment, Split Classes
19	Section 24: Split Classes, Official Ribbons, Prizes
20	Section 25: Stewards
20	Section 26: Ring Conditions
20	Section 27: Obedience Rings at Dog Shows
20	Section 28: Judge's Report on Ring and Equipment
20	Section 29: Boundaries of Show Grounds
20	Section 30: Discrimination
21	Section 31: Submitting Records
21	CHAPTER 2: REGULATIONS FOR PERFORMANCE AND JUDGING
21	Section 1: Standardized Judging
21	Section 2: Standard of Perfection
21	Section 3: Qualifying Performance
21	Section 4: Judge's Directions
21	Section 5: No Added Requirements
22	Section 6: A, B & V Classes and Different Breeds
22	Section 7: Interference and Double Handling
22	Section 8: Re-judging
22	Section 9: Ties
22	Section 10: Judge's Book and Score Sheets
22	Section 11: Announcement of Scores
23	Section 12: Explanations and Errors
23	Section 13: Compliance With Regulations and Standards
23	Section 14: Handicapped Handlers
23	Section 15: Catalog Order
23	Section 16: Use of Leash
23	Section 17: Collars
24	Section 18: Heel Position

24	Section 19: Hands
24	Section 20: Commands and Signals
25	Section 21: Additional Commands or Signals
25	Section 22: Praise
25	Section 23: Handling Between Exercises
25	Section 24: Orders and Minimum Penalties
25	Section 25: Misbehavior
25	Section 26: Training and Warm-up on the Show Grounds
26	Section 27: Training and Disciplining in the Ring
26	Section 28: Abuse of Dogs
26	Section 29: Discipline – see Rules for Resolution of Disputes
26	CHAPTER 3: NOVICE
26	Section I: Novice A Class
26	Section 2: Novice B Class
27	Section 3: Novice Exercises and Scores
27	Section 4: CD Title
27	Section 5: Heel on Leash & Figure Eight
28	Section 6: Heel on Leash & Figure Eight, Scoring
28	Section 7: Stand for Exam
28	Section 8: Stand for Examination, Scoring
28	Section 9: Heel Free, Performance and Scoring
29	Section 10: Recall
29	Section 11: Recall, Scoring
29	Section 12: Group Exercises
30	Section 13: Group Exercises, Scoring
30	CHAPTER 4: OPEN
30	Section 1: Open A Class
31	Section 2: Open B Class
31	Section 3: Open V Class

31	Section 4: Open Exercises and Scores
32	Section 5: CDX and CDX-V Title
33	Section 6: Heel Free and Figure Eight, Performance and Scoring
33	Section 7: Drop on Recall
33	Section 8: Drop on Recall, Scoring
33	Section 9: Retrieve on the Flat
34	Section 10: Retrieve on the Flat, Scoring
34	Section 11: Retrieve Over High Jump
35	Section 12: Retrieve Over High Jump, Scoring
35	Section 13: Broad Jump
36	Section 14: Broad Jump, Scoring
36	Section a5: Open Group Exercises, Performance and Scoring
36	CHAPTER 5: UTILITY
36	Section 1: Utility A Class
37	Section 2: Utility B Class
37	Section 3: Utility V Class
37	Section 4: Utility Exercises and Scoring
38	Section 5: UD and UD-V Title
38	Section 6: Signal Exercises
39	Section 7: Signal Exercises, Scoring
39	Section 8: Scent Discrimination
40	Section 9: Scent Discrimination, Scoring
40	Section 10: Directed Retrieve
41	Section 11: Directed Retrieve, Scoring
41	Section 12: Moving Stand and Examination
41	Section 13: Moving Stand and Examination, Scoring
41	Section 14: Directed Jumping
42	Section 15: Directed Jumping, Scoring
42	CHAPTER 6: UDX and UDX-V TITLE

42	CHAPTER 7: OBEDIENCE TRIAL CHAMPION – OTCH
44	CHAPTER 8: NON-REGULAR CLASSES
44	Section 1: Ribbons and Prizes
44	Section 2: Sub-Novice Class
44	Section 3: Graduate Novice Class
45	Section 4: Brace Class
45	Section 5: Seniors Class
45	Section 6: Wild Card Novice, Open and Utility
45	Section 7: Versatility Class
46	Section 8: Team Class
46	Section 9: Team Class, Scoring
47	CHAPTER 9: HONORARY TITLES
47	CHAPTER 10: OBEDIENCE FINALS
47	Purpose and Audience for this Document
47	Supporting Obedience Documentation
47	Section 1: Administrative Requirements
48	Section 2: Conducting the Obedience Finals
49	Section 3: Eligibility of Entrants
50	Section 4: Verification of Eligibility
51	Section 5: Entry Fees
51	Section 6: Awards and Ribbons
51	Section 7: Judging
52	Section 8: Ring Requirements
52	Section 9: Miscellaneous
53	ASCA® DOG BITE POLICY
54	GLOSSARY OF TERMS

ADDENDUMS:

JUDGES GUIDELINES (New Location in Rulebook)

SUGGESTED CONSTRUCTION OF BAR JUMP

SUGGESTED CONSTRUCTION OF HIGH JUMP.

SUGGESTED CONSTRUCTION OF BROAD JUMP

ASCA® DISPUTE RULES

ASCA® DISPUTE PROCESS

COMPLAINT FORM

PLEASE ALSO REFER TO ASCA® SHOW RULES AND REGULATIONS

REFERENCE SHEET (many updates in the upcoming 6/2012 edition)

Ring Size: Indoor rings should be 40' x 50'. In NO CASE shall the Utility ring be less than 35' x 50'. For Novice and Open, the ring shall not be less than 30' x 40'. Outdoor rings are to be 40' x 50'.

Utility:

Distance between Bar Jump and High Jump should be between 18 and 20 feet.
 Handler is to be about 20 feet away from the article pile.
 Handler is to continue another 12 feet from dog after commanding the dog to stand/stay.
 Ideally, dog should go approximately 20 feet beyond the jumps for the directed jumping exercise.
 Gloves are to be positioned 3 feet inside of the ring along one of the short sides of the ring.

Open:

“Posts” are to stand 8 feet apart, facing each other for the figure 8 exercise. (Also true in Novice)
 For both the Retrieve over the High Jump and the Broad Jump exercises, the team will set-up at least 8 feet from the jumps.
 The dumbbell must be thrown at least 8 feet beyond the jump during the Retrieve over the High Jump exercise.
 The dumbbell must be thrown at least 20 feet from the handler during the Retrieve on the Flat exercise.

No grooming or crating within 10 feet of any obedience ring during the obedience portion of the show. Clubs should ensure that obedience rings are used only for obedience trial, not for practice.

Groups: A dog may earn a qualifying score in Novice and Open even if it is the only dog participating in the Group Exercises.

Broad jumps:	Number of boards	Distance jumped
	2	16” to 24”
	3	28” to 44”
	4	48” to 72”

If using less than 4 boards for the Broad jump, always remove the tallest board(s) first.

High jump and Bar jump will be set to the nearest 2 inch multiple for the dog in question, unless the dog measures less than an even number. In that case, the jumps will be set to the next lowest height.

All breeds, except the ones listed below, will jump their height at the withers. Breeds allowed to jump ¾ their height at the withers are:

Anatolian Shepherd Dog	English Bulldog	And mixed breeds with the following:
Basset Hound	Estrala Mountain Dog	Neopolitan Mastiff
Bernese Mountain Dog	French Bulldog	Newfoundland
Black Russian Terrier	Great Danes	Pekingese
Bloodhound	Great Pyrenees	Pembroke Welsh Corgi
Bullmastiffs	Irish Wolfhound	Perro de Presa Canario
Cardigan Welsh Corgi	Kangal Dog	Petit Basset Griffon Vendeen
Caucasian Mountain Dog	Kuvasz	Saint Bernard
Central Asian Shepherd Dog	Leonberger	Skye Terrier
Clumber Spaniel	Mastiff	Tibetan Mastiff
Dachshund	Newfoundland	
Dogo Argentino	Saint Bernard	
Dogue De Bordeaux		

Chart for ¾ heights:	Less than 12 ½	8”	25 ½ to less than 28	20”
	12 ½ to less than 15	10”	28 to less than 31	22”
	15 to less than 17 ½	12”	31 to less than 33 ½	24”
	17 ½ to less than 20	14”	33 ½ to less than 36	26”
	20 to less than 23	16”	36 to less than 39	28”
	23 to less than 25 ½	18”		

OBEDIENCE REGULATIONS

Section 1: PURPOSE

Obedience Trials are a sport and all participants should be guided by the principles of good sportsmanship both in and outside of the ring. The purpose of Obedience Trials is to demonstrate the usefulness of the dog as a companion of man, not merely the dog's ability to follow specified routines in the obedience ring. While all contestants in a class are required to perform the same exercises in substantially the same way so that the relative quality of the various performances may be compared and scored, the basic objective of Obedience Trials is to produce dogs that have been trained and conditioned always to behave in the home, in public places, and in the presence of other dogs, in a manner that will reflect credit on the sport of Obedience. The performances of dog and handler in the ring must be accurate and correct and must conform to the requirements of these Regulations. However, it is also essential that the dog demonstrate willingness and enjoyment of its work, and that smoothness and naturalness on the part of the handler be given precedence over a performance based on military precision and peremptory commands.

Section 2: CODE OF ETHICS FOR ASCA® OBEDIENCE JUDGES

Judging is a privilege, not a right. The ASCA® Obedience Judge's conduct must always be impartial, dignified, and becoming to the judge, to the sport of obedience, and to ASCA®. A judge's actions must be above reproach.

Judges shall be professional in demeanor and arrive neatly and professionally dressed, with due consideration of anticipated weather and ring conditions.

Judges shall refrain from negative comments about individuals, dogs, and other judges, except when required in the course of trial administration and disciplinary procedures.

Point deductions in the ring and other judging calls shall be based strictly on the dog and handler's performance as a team as described in the ASCA® Obedience Rules and in no case shall be based on the identity or reputation of the owner, the handler, the breeder, or the dog's lineage.

The safety of the dog and handler shall be the judge's foremost concern in designing patterns in an obedience ring.

Judges shall be ever mindful that trials are staffed largely or entirely with unpaid volunteers, and shall treat ring stewards, exhibitors and spectators with due courtesy and consideration.

Any judge found to be abusing the privilege of judging for ASCA® or violating this Code of Ethics may have such judging privileges revoked or suspended by ASCA®.

Section 3: OBEDIENCE JUDGE REQUIREMENTS (effective 1/1/2012)

OBEDIENCE JUDGE

- A. All applicants must be a minimum of 21 years of age.
- B. All applicants must take the open-book ASCA obedience judges test and score 100% on each section. Applicants may take the test up to two times in their attempt to score 100%. If the applicant fails to score 100% after the second attempt, the applicant must wait one year from the date of application to reapply and take the test.
- C. The applicant's name will be published in the Aussie Times (the bi-monthly publication for ASCA). The Membership of ASCA has 45 days to respond with comments, positive or negative.
- D. Applicants must further qualify either by 1) JUDGESHIP or 2) TITLES as further described below:

JUDGESHIP

Must be a licensed obedience judge for a minimum of one of the following approved entities: American Kennel Club, Canadian Kennel Club, United Kennel Club or the Federation Cynologique Internationale. Applicants are required to have a minimum of two year's judging experience. Any applicant applying from any organization or registry not listed as an approved entity will be considered on a case-by-case basis provided their obedience titles earned are at a minimum equivalent to ASCA's in difficulty.

TITLES

Must have earned from ASCA or from the above-named entities the following titles or their equivalent to judge the regular level listed. In addition, the applicant must have stewarded novice, open and utility (singularly or collectively) a minimum of two times at a sanctioned trial. Applicant must provide the entity's name, club's name, show secretary's name, and date they stewarded.

- 1) **NOVICE:** Earned three Companion Dog Titles. Two different dogs must have been titled to a companion dog title.
- 2) **OPEN:** Earned two Companion Dog Excellent Titles and the three Companion Dog titles named above as stated.
- 3) **UTILITY:** Earned one Utility Dog Title and, as stated above, the two Companion Dog Excellent titles and the three Companion Dog titles.

Proof of titles earned must be provided upon application. A copy of the title or a copy of the dog's trialing record will suffice.

E. APPROVAL PROCESS: ASCA will do one of the following:

- 1) issue a letter stating the regular judging status level and judge's number issued if the applicant is approved, or
- 2) issue a letter stating if and when the applicant may reapply if disapproved.
- 3) All approved judges may judge all non-regular classes in addition to the regular classes for which they are licensed. Judges may accept assignments only upon issuance of their ASCA judge's number.

F. PROVISIONAL STATUS: All applicants issued an ASCA judge's number will be approved as Provisional Obedience Judges. After the Provisional Obedience Judge has completed a minimum of three assignments, they may notify ASCA by letter or email indicating the club, show secretary and date for each assignment plus the classes they judged, and that they are requesting the Provisional status be lifted. ASCA has the right to extend the Provisional status for just cause.

G. PRIVILEGES: Judging for ASCA is a privilege and not a right. ASCA has the authority to remove or deny any judging privileges for just cause at any time. Judges or Applicants will have sixty days in which to appeal any such revocation or denial.

CHAPTER 1: GENERAL REGULATIONS

SECTION 1: Clubs

Affiliates shall not seek membership nor seek license or sanction for any event with another registry other than a registry which ASCA® has an agreement.

The registry with which ASCA® has an agreement is the Canadian Kennel Club (CKC).

The Host Affiliate of an ASCA® National Specialty shall not invite nor contract with another registry or any of its affiliates other than a registry with which ASCA® has an agreement to hold an event at any time during the Nationals or as a pre-show or trial.

The ASCA® Business office will refuse sanction of any show/trial of an ASCA® Affiliate held with the United States Australian Shepherd Club (USASA) National Specialty unless such show is approved by a vote of the membership when at least 50% of the Affiliate Club members cast a vote and action is approved by 2/3 of those casting votes. Note: "held with" as used here is defined as anywhere on the same show/fair grounds during (from the first day through the last of) the USASA Nationals events.

Only ASCA® Affiliate Clubs, in good standing, may sanction ASCA® events. Only one type of event may be held in each state or area (in those states divided into areas). A "type of event" is defined as Conformation or Obedience or Stockdog Trial or Tracking or Agility.

- a. California is divided into three (3) areas: from the Mexican border north to the city of Ventura, from Ventura north to San Jose, from San Jose north to Oregon. Nevada is divided into two (2) areas: From the southernmost border North to Highway 6 North to the Oregon and Idaho borders.
- b. Alaska Affiliates may have more than one type of event per day from October 1 through March 30. Affiliates may have up to two Obedience Trials per day, per area.

Official ASCA® programs that require sanctioning and award points or qualifying scores that lead to an ASCA® title shall not be conducted by any individual(s), non ASCA® Affiliated corporation(s) or business(es).

Affiliate Club(s) in good standing with ASCA® will have the exclusive right to schedule, sanction and conduct Official ASCA® programs.

No individual(s), non ASCA® Affiliated corporation(s) or business(es) shall realize any monetary profit, or any other benefit as a result of any connection with an ASCA® sanctioned event. Normal event sponsorship or advertisement by any individual(s), corporation(s) or business(es) shall not be considered to be in conflict with this rule. Individuals, corporations or businesses that enter into agreements with Affiliate Clubs to supply materials, services, facility rentals, livestock rentals or any other need required for the conduct of sanctioned events shall not be considered to be in conflict with this rule. The use of a Club's name for event purposes cannot be transferred.

ASCA® Affiliate Clubs that meet the requirements of ASCA® and wish to hold an Obedience Trial, at which qualifying scores toward an obedience title may be awarded, must make application to ASCA® on the form provided for permission to hold such trial. This application must be submitted and postmarked no later than forty-five (45) days prior to the event. A sanction fee (see schedule of fees) per trial shall be submitted with the application.

Each Host Club, which holds a sanctioned event at least once in every 2 consecutive years, shall have first right to claim the corresponding dates or holiday weekend for its event to be held in the next succeeding two years. If the Club having first right to the date(s) does not host a sanctioned event on that date in the following year, another Club may use the preexisting date for an event. The original Club shall still have first right to the date on the second year following their original event. If they do not host a sanctioned event on that date in the second year, they lose the first right to the date. The ASCA® Business Office will hold paperwork from any other Club wishing to use a preexisting date until the ASCA® Business Office has been notified that the Host Club with the preexisting date will not use the event date that year. If paperwork has to be held pending receipt of the notification from the Host Club with the preexisting date, the ASCA® Business Office will notify the second Club within 14 days upon receipt of the Sanctioning Request Form. To facilitate timely receipt of materials, Clubs wishing to use a preexisting date should contact the Host Club and request notification be sent in writing to the ASCA® Business Office stating the preexisting date will not be used that year. If the Host Club with the preexisting date does not use that date on the second year following their original event, first claim to that date will pass to a second Host Club, if there is one. If a date has not been previously claimed, the Host Club whose sanctioning is postmarked first shall be awarded the date.

ASCA® Affiliate Clubs shall not request sanctioning for any event to be held outside of their state/area in a state/area that is already served by at least one Affiliate Club. If a state/area is not served by an Affiliate Club then an Affiliate Club from another state/area may sanction events there on a first come basis.

If an Affiliate Club wishes to sanction an event at a site that is outside of their state/area they must first secure written permission from all of the Affiliate Clubs in that state/area. This written permission shall be submitted to the Business Office with the Sanction request before sanctioning can be granted.

If an Affiliate Club organizes in a state/area that formerly did not have an Affiliate Club, then the new Club shall have primary sanctioning authority. Out of state/area Affiliate Clubs must then follow the procedure as outlined in the previous two paragraphs.

Affiliate Clubs who sanction pre-national events to be held in the state/area of the National Specialty event are exempted from the provisions of this section.

Any ASCA® Affiliated Club requesting ASCA® sanctioning for any event(s) shall, when making application for said event(s), include any applicable county, state, country or any other bylaws, rules of conduct or associated restrictions regarding dogs, their exhibition and the holding of said event(s) and shall include a list of such rules, bylaws or restrictions in the premium list. Rules, restrictions, bylaws, etc. shall be printed in English and the language of the country where the said event(s) will be held, listing all pertinent information.

Late Sanctioning Fees:

Sanctioning requests received between 30-45 days prior to an event will be accepted upon payment of a fine (see schedule of fees) for the first three (3) days past the 45-day postmark deadline with an increase (see schedule of fees) for each day thereafter. Sanctioning request *received by the Business Office* less than 30 days prior to a sanctioned event will not be accepted under any circumstances. Clubs submitting delinquent sanctioning request 3 times will lose all late sanctioning privileges for a period of 2 years. It is recommended Clubs retain proof of mailing for all sanctioning requests.

The ASCA® Business Office will not accept responsibility for sanctioning requests lost in the mail. All sanctioning requests sent after the 45 day postmark deadline must be original forms (no faxes or e-mails) and must have all required signatures and fees.

If the Host Club with the preexisting dates postmarks their sanctioning request form past the 45 day deadline and it is not received 30 days prior to the event, they will lose first right to this date for that year.

Affiliate Clubs are allowed to have a "show and go" or clinic after a sanctioned trial. The "show and go" or clinic cannot take place until the Judges of the Sanctioned Obedience Trial have completed judging all the classes scheduled for the sanctioned event and the awards have been given out.

Obedience classes need not be limited to Australian Shepherds only, with the exception of a SPECIALTY, and then it shall be for ASCA® registered Australian Shepherds ONLY. For the purposes of all ASCA® awards, rankings and trials, LEP Australian Shepherds are considered ASCA® Registered Australian Shepherds. Other breeds entered in obedience trials sanctioned by ASCA® Affiliate Clubs must abide by ASCA® Rules and Regulations and have an ASCA® tracking number.

SECTION 2: Obedience Classes

2.1 A Specialty or Sanctioned Obedience Trial need not include all of the Regular obedience classes defined in these Regulations, but a club will be approved to hold Open classes only if it also holds Novice classes, and a club will be approved to hold a Utility class only if it also holds Novice and Open classes. Novice classes will be divided into "A" and "B". Open and Utility classes will be divided into "A", "B", and "V". The Novice "A" and "B" classes and the Open "A", "B", and "V" classes may, at the judge's discretion, be combined for group exercises.

Any Affiliate club which has been approved to hold a Specialty or Sanctioned Obedience Trial, if qualified in the opinion of the ASCA® Business Office may offer additional Non-regular classes for dogs not less than six (6) months of age, provided a clear and complete description of the eligibility requirements and performance requirements for each such class appears in the premium list. However, the Non-regular classes defined in these regulations need not be described in the premium list.

Dogs entered in any Non-regular class (whether or not as described in these Regulations) other than Brace, Veterans, Wild Card, and the Team Non-regular classes shall not enter or exhibit in any Regular Obedience Class held at the same show and on the same day.

2.2 Obedience group exercises shall be performed after the individual exercises in groups no larger than twelve as the individual exercises are completed. A club can elect to hold the group exercises before the individual exercises, but only if it is listed in the premium list and flyer.

If a club holds the group exercises before the individual exercises, all group exercises will be completed before the Novice and Open individual exercises begin. If Utility is scheduled to run first, the club is encouraged to complete the Utility class before starting the group exercises. At the discretion of the judge, groups for Novice "A" and "B" and for Open "A", "B" and "V" can be combined or separated as needed to accommodate exhibitors.

SECTION 3: Obedience Trial Committee

If an Affiliate Club holds a Sanctioned Obedience Trial only, an Obedience Trial Committee must be appointed by the club, and this committee shall exercise all the authority vested in a Dog Show's Show Committee.

If an affiliate club holds a Sanctioned Obedience Trial in conjunction with a Dog Show, the club's Show Committee shall include one (1) person designated as "Obedience Chairman". At such events the Show Committee of the show-giving club shall have sole jurisdiction over all matters which may properly come before it, regardless of whether the matter has to do with the Dog Show or with the Obedience Trial.

The Show/Obedience Chairman will be allowed to hire judges for the shows and will also be allowed to compete in the Obedience portion of the shows. Other members of the show committee will also be allowed to compete in the obedience portion of the shows.

SECTION 4: Dog Show Rules & Regulations

All the Dog Show Rules & Regulations, where applicable, shall govern the conduct of Obedience Trials, and shall apply to all persons and dogs participating in them except as these Obedience Regulations may provide otherwise.

SECTION 5: Identification

No badges, coats with kennel names, dogs names or any dog related advertisements, shall be worn or displayed, nor any other visible means of identification used, by an individual when exhibiting a dog in the ring, except in the case of the Obedience Team Class, where exhibitors may wear coordinated clothing, with art as desired, and giving the name of their team if desired. However, kennel names and names of dog related businesses will still not be allowed.

SECTION 6: Immediate Family

As used in this rulebook, "Immediate Family" means: spouse, parents, grandparents, children, grandchildren, siblings, or any combination of the preceding by marriage, i.e. stepchildren or parents-in-law, or person residing in the same household.

SECTION 7: Registered Dogs Only

As used in these Regulations, the word "dog" refers to either sex. All Australian Shepherds must have an individual registration or LEP number from ASCA® to be eligible for ASCA®'s year end Merit and Finals programs. All dogs not so registered must have a tracking number issued by ASCA® to compete in any class at ASCA® sanctioned Obedience Trials.

SECTION 8: Unregistered Dogs

All dogs six (6) months and older must have an individual ASCA® registration or LEP number or an ASCA® tracking number to compete in ASCA® sanctioned Obedience Trials. A dog will be allowed to be shown at the trial where the handler applies for an ASCA® tracking number. The handler will be issued a receipt by the Registration table valid for sixty (60) days to allow the Business Office time to issue the tracking number. Photo copies or originals of registration or tracking number papers must be presented to the Registration Table upon request when entering ASCA® sanctioned Obedience Trials.

SECTION 9: Dogs That May Not Compete

No dog without an ASCA® individual registration, LEP number or ASCA® tracking number may compete in any ASCA® Obedience Trial. An obedience judge's immediate family or household members may compete under other officiating judges at the same trial. Family/household members may do this provided that any wins under other judges will not result

in a violation of these rules by any advancement of the dog in the sanctioned event. Dogs owned wholly or in part by an obedience judge may be exhibited at a trial in which he/she is officiating provided that any wins under other judges will not result in a violation of these rules by any advancement of the dog in the sanctioned event. Obedience judges are not permitted to exhibit or act as agent or handler for any dog at any ASCA® sanctioned Dog Show or Obedience Trial on the same day he/she officiates. Judges may show in cluster trials on days on which they are not judging without restrictions on the order in which they judge and show.

The official veterinarian shall not exhibit or act as agent or handler at the show and dogs owned wholly or in part shall not be eligible to be entered at that show.

If a club does not advertise in its premium list who is to judge run-offs between classes, an exhibitor shall automatically be considered to have lost the run-off of any tie scores between classes if the judge of the run-off is a member of the exhibitor's immediate family.

No dogs shall be entered or shown under a judge at an Obedience Trial if the dog has been owned, sold, held under lease, handled in the ring, boarded or has been regularly trained or instructed, within one (1) year prior to the date of the Obedience Trial by the judge or by any member of his immediate family or household, and no such dog shall be eligible to compete.

"Trained or instructed" applies equally to judges who train professionally or as amateurs, and to judges who train individual dogs or who train or instruct dogs in classes with or through their handlers.

SECTION 10: Qualifying Score

A Qualifying score shall be comprised of scores of more than fifty percent (50%) of the available points in each exercise and a final score of one hundred seventy (170) or more points, earned in a single Regular class at a Specialty or Sanctioned Obedience Trial.

SECTION 11: When Titles Are Won

Where any of the following Sections of the regulations require that a dog shall have won a particular obedience title before competing in a particular (advanced) obedience class, a dog may be shown in such class at any obedience trial after the handler has been informed by three (3) Judges, two of whom shall be different, that the dog has received the necessary qualifying scores.

The third qualifying score must be received before the start of the next trial in which the entry in the advanced class is to be made. If two trials are held on the same day, the dog may be moved up in the second trial, providing the trial has not started and they have received official notification from the judge that they have qualified in the lower class.

SECTION 12: Disqualification and Ineligibility

A dog that is blind or that has been changed in appearance by artificial means (except for such changes as are customarily approved for its breed) may not compete in any Obedience Trial and must be disqualified. Blind means without useful vision. "Changes in appearance by artificial means" does not include dogs that have been surgically altered for health reasons or disease, such as the loss of an eye or the removal or broken teeth. Dogs that have lost a limb are ineligible to compete.

When a judge finds any of these conditions in any dog he is judging, he shall disqualify the dog marking his book "Disqualified" and stating the reason. He shall not obtain the opinion of a veterinarian.

The judge must disqualify any dog that attempts to attack any person in the ring. He shall excuse a dog that attacks another dog or that appears dangerous to other dogs in the ring. He shall mark the dog "Disqualified" or "Excused" and state the reason in his judge's book, and shall give the Show or Trial Secretary a brief report of the dog's actions which shall be submitted to ASCA® with the report of the show or trial.

The owner of any dog which has been excused on two (2) occasions by a Judge for attacking or attempting to attack another dog in the ring will be notified by ASCA® that the dog is no longer eligible to be shown in Obedience classes.

When a dog has been disqualified under this section as being blind or having been changed in appearance by artificial means or having attacked or attempted to attack a person in the ring, all awards made to the dog at the trial shall be canceled by ASCA® and the dog may not again compete unless and until, following application by the owner to ASCA®, the owner has received official notification from ASCA® that the dog's eligibility has been reinstated.

See complete ASCA® Dog Bite Policy located at rear of rulebook.

Spayed bitches, castrated dogs, monorchid or cryptorchid males, and dogs that have faults which would disqualify them under the standards for their breeds, may compete in Obedience Trials if otherwise eligible under these Regulations.

A dog that is lame in the ring at any Obedience Trial may not compete and shall not receive any score for the class in which it was determined to be lame. It shall be the judge's responsibility to determine whether a dog is lame. He shall not obtain the opinion of a veterinarian. If in the judge's opinion a dog is lame, he shall not score such a dog, and shall mark his book "Excused-lame".

No dog shall be eligible to compete in an Obedience Trial if it is taped or bandaged in any way or if it has anything attached to it for medical or corrective purposes. Such a dog must be immediately excused and under no circumstances may it be returned later for judging after the tape, bandage or attachment has been removed.

No dog shall be eligible to compete if it appears to have been dyed or colored in any way or if the coat shows evidence of chalk or powder, or if the dog has anything attached to it for protection or adornment. Such a dog may, at the judge's sole discretion, be judged at a later time if the offending condition has been corrected.

An obedience judge is not required to be familiar with the breed standards or to scrutinize each dog as in dog show judging, but shall be alert for conditions which may require disqualification or exclusion under this Section.

No dog which has been excused or disqualified at a given trial shall count toward the total number of dogs judged or the number of dogs in that particular obedience class.

SECTION 13: Disturbances

Bitches in season are not permitted to compete. The judge of an Obedience Trial must remove from competition any bitch in season, any dog which its handler cannot control, any handler who interferes willfully with another competitor or his dog, and any handler who abuses his dog in the ring, and may excuse from competition any dog which he considers unfit to compete, or any bitch which appears so attractive to males as to be a disturbing element.

If a dog or handler is disqualified or excused by a judge, the reason shall be stated in the judge's book or in a separate report.

Bitches in season may compete only at the Nationals Obedience Trial and Obedience Finals. They are to compete last after all other judging is finished with the exception of run-offs each day, in a ring not to be used again for Obedience. This includes sits and downs which shall be held separately. A bitch in season could be competing back to back in both rings in Open and Utility. Bitches in season must be crated (not placed in an exercise pen) at least 50' away from the obedience rings prior to and during the competition, except while competing.

SECTION 14 Obedience Ribbons

At Specialty or Sanctioned Obedience Trials the following PLACEMENT RIBBONS OR ROSETTES MUST BE OFFERED:

First Place

Second Place

Third Place

Fourth Place

Qualifying

High in Trial Dog in the regular classes

Highest Combined Score in the regular classes of Open B and Utility

Highest Scoring Jr. Handler in the regular classes

The following ribbon colors must be used at a Specialty:

Regular Classes:

First Place-Blue

Second Place-Red

Third Place-Yellow

Fourth Place-White

Qualifying-Green

High in Trial Dog in the regular classes-Blue and Gold

Highest Combined Score in the regular classes of Open B and Utility-Dark Green & Blue

Highest Scoring Jr. Handler in the regular classes-Dark Green & Gold

Non-regular classes:

First Place-Rose

Second Place-Brown

Third Place-Light Green

Fourth Place-Gray

Each ribbon or rosette shall be not less than two (2) inches wide and at least eight (8) inches long, and shall bear on its face the name of the placement and the name of the host club.

Additional ribbons and awards may be offered such as High Scoring Aussie and High Scoring Other Breed, but shall not replace **High in Trial Dog**.

The ASCA® Logo may be used in awards and ribbons offered by an ASCA® affiliate hosting a sanctioned show, trial or agility competition.

SECTION 15: Ribbons and Prizes

Ribbons for the four (4) official placings and all prizes offered for competition within a single Regular class at Sanctioned Obedience Trials must be awarded only to dogs that earn Qualifying scores. Qualifying scores shall not be required for the awarding of ribbons and prizes in the Non-regular classes. Awards for the four (4) placings in these classes shall be based solely on number of points earned. The ribbon and any prizes offered for the Dog with the Highest Combined Score in Open and Utility at a Trial shall be awarded only to a dog that earns qualifying scores in both Open and Utility.

Prizes at a Specialty or Sanctioned Obedience Trial must be offered to be won outright, with the exception that a prize which requires three (3) wins by the same owner, not necessarily with the same dog, for permanent possession, may be offered for the dog with the highest Qualifying score in one (1) of the Regular classes, or the dog with the highest Qualifying score in the Regular classes, or the dog with the highest combined Qualifying scores in the Open B and Utility classes.

Prizes offered only to members of certain clubs or organizations will not be approved for publication in premium lists.

SECTION 16: Highest Scoring Dog in the Regular Classes and the Dog with the Highest Combined Score in Open and Utility

The dog receiving the highest qualifying score in the regular classes (High In Trial - HIT) and the dog receiving the highest combined score in Open B and Utility (High combined - HC) shall be awarded the ribbons/rosettes and any prizes offered for these placements, after announcement of final scores of the last regular class to be judged. The judge shall mark his/her judge's books to reflect the above mentioned wins/placements. At a specialty, the show secretary shall mark the catalog to identify the dog receiving these awards.

If a club wishes to offer ribbons/awards for High Scoring Aussie and/or High Scoring Other Breed, they may do so, **PROVIDED THAT THEY ARE NOT OFFERED IN PLACE OF THE High in Trial ribbon/rosette/award.** Clubs must be aware that only one dog, regardless of breed, can be awarded the High in Trial placement.

In case of a tie between dogs eligible for either of the above awards, each dog shall be tested again, individually, by having it perform the entire Novice Heel Free Exercise. The Judge for a run-off shall be designated by the Show Secretary from among the Judges of the Obedience Trial. When the run-off has been completed, the judge shall record the results on a special sheet which shall identify the dogs taking part in the run-off by catalog number, class and breed. The judge shall mark his/her judge's book to identify the dog receiving these awards.

SECTION 17: High Score Junior Handler

The Junior Handler receiving the highest qualifying score in the regular classes shall be awarded the ribbon and any prizes offered for this placement, after the announcement of the final scores of the last Regular class to be judged. The Show or Trial Secretary shall mark the catalog to identify the Junior Handler receiving this award.

In case of a tie between Junior Handlers eligible for the above award, each handler with the same dog that they qualified with, shall be tested again, individually, by having them perform the entire Novice Heel Free Exercise. The Judge for a run-off shall be designated by the Show Secretary from among the Judges of the Obedience Trial. When the run-off has been completed, the Judge shall record the results on a special sheet which shall identify the handlers taking part in the run-off by catalog number and class. The Show Secretary shall mark the Judge's Book to identify the handler receiving this award.

SECTION 18: Risk

The owner or agent entering a dog in an Obedience Trial does so at his own risk and agrees to abide by all ASCA® Rules and Regulations.

SECTION 19: Decisions

At the trial the decisions of the judge shall be final in all matters affecting the scoring and the working of the dogs and their handlers. The Obedience Trial Committee, or the Show Committee, shall decide all other matters arising at the trial, including protests against dogs, subject, however to the Rules and Regulations of ASCA®.

SECTION 20: Dogs That Must Compete

Any dog entered and present at a sanctioned obedience trial or specialty is expected to compete in all classes in which it is entered. Dogs that have been disqualified or excused by the judge or show/obedience trial committee will be removed from further competition. Dogs that have been excused by the official veterinarian to protect the health of the dog and/or the health of other dogs at the trial will be removed from further competition. The excuse by the official veterinarian must be in writing, approved by the show or obedience trial committee, and submitted to ASCA® with the show reports from the trial.

Handlers will be allowed to excuse themselves from competition for any reason. They will notify the judge of their intention and can be excused before, during, or after their individual exercises. They will also be allowed to excuse themselves from performing the group exercises after notifying the judge. If a handler should request to be excused, they should do so in a timely manner so judging will not be adversely affected.

The judge will immediately excuse from further competition, any dog that disturbs, or threatens to disturb another dog during the performance of the group exercises. The judge will clearly note in the judge's book the reason for any excusal.

SECTION 21: Judging Program

Any Affiliate Club holding a Specialty or Sanctioned Obedience Trial with a closed entry date must prepare, after the entries have closed, a program showing the time scheduled for the judging of each of the classes. A copy of this program shall be mailed to the owner of each entered dog and to each judge, and the program shall be printed in the catalog. This program shall be based on the judging of no more than eight (8) Novice entries, seven (7) Open entries, or six (6) Utility entries, per hour during the time the show or trial will be open as published in the premium list, taking into consideration the starting hour for judging if published in the premium list, and the availability of rings. No judge shall be scheduled to exceed this rate of judging. In addition, one-half (½) to one (1) hour for rest or meals must be allowed if, under this formula, it will take more than five (5) hours of actual judging to judge the dogs entered under him. No judge shall be assigned to judge for more than eight (8) hours in one (1) day under this formula, including any breed judging assignment if the Obedience Trial is held in conjunction with a Dog Show.

ASCA® affiliate clubs are encouraged to use a variety of approved judges. Any club is allowed to hire any judge once every thirty (30) days. To clarify, two different clubs may hire the same judge within the same thirty (30) day period even if the clubs are in the same area of the country. However, if the club(s) holds multiple trials during the same cluster of shows, they will be allowed to use the same judge to officiate for multiple trials. It would be desirable for the club(s) to assign different classes (Novice, Open, etc...) to the judges whenever possible. Assignments should be organized so that exhibitors show to as many judges as is practical.

Non-regular classes will always be held after all regular classes have finished and awards for those classes have been distributed. The only exception to this rule will be when there are multiple obedience rings running at the same time, such as at ASCA® Nationals and other large shows. Even in the case of the ASCA® Nationals, it is suggested that non-regular classes run last if possible.

SECTION 22: Limitation of Entries

If a club anticipates an entry in excess of its facilities for a Specialty or Sanctioned Obedience Trial, it may limit entries in any or all classes, but non-regular class entries shall not exceed 25% of the total limited entry. A club may limit entries in any or all Regular classes to sixty-four (64) in a Novice class, fifty-six (56) in an Open class, or forty-eight (48) in a Utility class.

Prominent announcement of such limits must appear on the title or cover page of the premium list for an Obedience Trial or immediately under the obedience heading in the premium list for a Dog show, with a statement that entries in one (1) or more specified classes in the Obedience Trial will automatically close when a certain limit or limits have been reached, even though the official closing date for entries has not arrived.

An Affiliate club may limit its Sanctioned Obedience Trial to ASCA® registered Australian Shepherds only. Prominent announcement of such limits must appear on the title or cover page of the premium list for a Sanctioned Obedience Trial or immediately under the Obedience heading in the premium list for a dog show.

SECTION 23: Additional Judges, Reassignment, Split Classes

If when the entries have closed, it is found that the entry under one (1) or more judges exceeds the limit established in Section 22, the club shall immediately secure the approval of the ASCA® Business Office for the appointment of one (1) or more additional judges, or for reassignment of its advertised judges, so that no judge will be required to exceed the limit.

If a judge with an excessive entry was advertised to judge more than one (1) class, one (1) or more of his classes shall be assigned to another judge. The class or classes selected for reassignment shall first be any Nonregular classes for which he was advertised, and shall then be either the Regular class or classes with the minimum number of entries, or those with the minimum scheduled time, which will bring the advertised judge's schedule within, and as close as possible to the maximum limit. If a judge with an excessive entry was advertised to judge only one (1) class, the Show Secretary shall divide the entry as evenly as possible between the advertised judge and the other judge by drawing lots.

The club shall promptly mail to the owner of each entry affected, a notification of any change of judge. The owner shall be permitted to withdraw such entry at any time prior to the date of the show, and the entry fee shall then be refunded. If the entry in any one (1) class is split in this manner, the advertised judge shall judge the run-off of any tie scores that may develop between the two (2) divisions of the class, after each judge has first run off any ties resulting from his own judging.

SECTION 24: Split Classes, Official Ribbons, Prizes

A club which holds a split class, whether the split is announced in the Premium List, or after entries close (because the entries exceed eight hours of judging), shall award ASCA® official ribbons in both divisions.

If a split class is announced in the Premium List, duplicate placement prizes may be offered in each division. If prizes are offered for placements in a class that must be split after entries close, duplicate prizes or prizes of equal value will also be offered in the additional division of the class.

SECTION 25: Stewards

The judge is in sole charge of his ring until his assignment is completed. Stewards are provided to assist him, but they may act only on the judge's instructions. Stewards shall not give information or instructions to owners and handlers except as specifically instructed by the judge, and then only in such manner that it is clear that the instructions are those of the judge. Handlers may steward in classes other than those in which they are entered.

SECTION 26: Ring Conditions

If the judging takes place indoors the ring should be rectangular and should be about forty (40)' wide and fifty (50)' long for all Obedience Classes. In no case shall the ring for a utility class be less than thirty-five (35)' by fifty (50)', and in no case shall the ring for a Novice or Open class be less than thirty (30)' by forty (40)'. At an outdoor show or trial the rings shall be about forty (40)' wide and fifty (50)' long.

Outside rings should be a clean level surface of grass no more than one (1) inch long, or dirt with no mud puddles in the ring area. The rings shall be as near as can be determined by visual inspection, free of rodent or insect colonies, clean of any animal waste. Insecticides or poisons may not be used to remedy pre-existing conditions on day of show. On surfaces such as wood or concrete flooring, which require a non-skid surface, mats under high jump in Open should be a minimum of sixteen (16) feet long, with the jump centrally positioned. Matting under the broad jump should be at least the width of the jump - five (5) feet. In Utility, mats must run the entire length of the ring in the pattern of the dog's send away and directed jumping. An area surrounding the obedience ring no smaller than ten (10) feet in any direction shall be cleaned and posted for "no crating or grooming" during the obedience portion of the event.

The Club and Show Secretary are responsible for providing, for the Open classes, an appropriate place approved by the judge, for the handlers to go completely out of sight of their dogs. If inclement weather at an outdoor trial necessitates the judging of Obedience under shelter, the requirements as to ring size may be waived. If such actions are taken a full report must be sent to the ASCA® Business Office at the close of the show or trial.

SECTION 27: Obedience Rings at Dog Shows

At an outdoor Dog Show a separate ring or rings shall be provided for Obedience, and a sign forbidding anyone to permit any dog to use the ring during the entire time of the show except when being judged, shall be set up in each such ring by the Show Secretary. It shall be his duty as well as that of the Show Committee to enforce this Regulation. At an indoor show where limited space does not permit the exclusive use of any ring for Obedience, the same Regulation will apply after the obedience rings have been set up. At a Dog Show the material used for enclosing the obedience rings shall be at least equal to the material used for enclosing the breed rings. The ring must be thoroughly cleaned before the obedience judging starts if it has previously been used for breed judging.

SECTION 28: Judge's Report on Ring and Equipment

The Show Coordinator, Show Secretary and the officials of the club holding the Obedience Trial are responsible for providing rings and equipment which meet the requirements of these Regulations. However, the judge must check the ring and equipment provided for his use before starting to judge, and must report to The ASCA® Business Office after the trial any undesirable ring conditions or deficiencies that have not been promptly corrected at his request.

SECTION 29: Boundaries of show grounds

The 'limits' are the boundaries of the grounds. 'Premises' constitutes a larger area, its boundaries not well defined. It consists of the land, buildings and all parking areas adjacent to and a continuation of the show grounds where an Obedience Trial is held whether held separately or in conjunction with a Dog Show, Stock Dog Trial, Tracking or Tracking Dog Excellent Test, or Agility Trial. Any area inside the 'limits' is on the 'premises' but an area does not have to be within the 'limits' to be considered within the 'premises'.

SECTION 30: Discrimination

Any Affiliate Club which accepts an entry fee other than that published in its premium list or flyer, or in any way discriminates between Owners or Handlers shall be disciplined. The same entry fee shall be charged for all dogs entered in any Regular

Class. No host organization shall offer to any one Owner or Handler any special inducement, such as trophies, reduced entry fees, rebates, additional prize money, or any other concession, for entering any dog(s).

SECTION 31: Submitting records

After each ASCA® sanctioned event, all Judge's Books (Non-Regular and Regular classes), ASCA® Official Entry Forms for all qualifiers, Gross Receipts report, including Event Membership Dues, Sanction Grant, Obedience Show Report must be sent to the ASCA® Business Office, postmarked no later than fifteen (15) days after the close of the show. There will be a penalty for noncompliance (see schedule of fees) for each day's delay and such other penalties as may be imposed by the Board of Directors of ASCA®. The club shall retain all other ASCA® official entry forms, except the entry forms listed above, for a period of one year from date of show.

CHAPTER 2: Regulations for Performance and Judging

SECTION 1: Standardized Judging

Standardized judging is of paramount importance. Judges are not permitted to inject their own variations into the exercises, but must see that each handler and dog executes the various exercises exactly as described in these Regulations. A handler who is familiar with these Regulations should be able to enter the ring under any judge without having to inquire how the particular judge wishes to have any exercise performed, and without being confronted with some unexpected requirement.

SECTION 2: Standard of Perfection

The judge must carry a mental picture of the theoretically perfect performance in each exercise and score each dog and handler against this visualized standard which shall combine the utmost in willingness, enjoyment and precision on the part of the dog, and naturalness, gentleness, and smoothness in handling. Speed is not to be considered as the equivalent to willingness and enjoyment. Lack of willingness or enjoyment on the part of the dog must be penalized, as must lack of precision in the dog's performance, roughness in handling, and military precision or peremptory commands by the handler. There shall be no penalty of less than one-half (½) point or multiple of one-half (½) point.

SECTION 3: Qualifying Performance

A judge's certification in his judge's book of a Qualifying score for any particular dog constitutes his certification to ASCA® Show Secretary that the dog on this particular occasion has performed all of the required exercises at least in accordance with the minimum standards and that its performance on this occasion would justify the awarding of the obedience title associated with the particular class. A Qualifying score must never be awarded to a dog whose performance has not met the minimum requirements, not to a dog that shows fear or resentment, or that relieves itself at any time while in the ring for judging, nor to a dog whose handler disciplines it or abuses it in the ring, or carries or offers food in the ring.

In deciding whether a faulty performance of a particular exercise by a particular dog warrants a Qualifying score, the judge shall consider whether the awarding of an obedience title would be justified if all dogs in the class performed the exercise in a similar manner. The judge must not give a Qualifying score for the exercise if he decides that it would be contrary to the best interests of the sport if all dogs in the class were to perform the same way.

SECTION 4: Judge's Directions

The judge's orders and signals should be given to the handlers in a clear and understandable manner, but in such a way that the work of the dog is not disturbed. Before starting each exercise, the judge shall ask "Are you ready?"

At the end of each exercise the judge shall say "Exercise finished." Each dog must be worked and judged separately except for the Group exercises. The judging of an exercise will begin when the judge gives the first order, not before.

SECTION 5: No added Requirements

No judge shall require any dog or handler to do anything, nor penalize a dog or handler for failing to do anything, that is not required by these Rules & Regulations.

SECTION 6: A, B & V Classes and Different Breeds

The same methods and standards must be used for judging and scoring the A, B and V classes, and in judging and scoring the work of dogs of different breeds.

SECTION 7: Interference and Double Handling

A judge who is aware of any assistance, interference, or attempt to control a dog from outside the ring, must act promptly to stop such double handling or interference, and shall penalize the dog substantially or, if in the judge's opinion the circumstances warrant, shall give the dog a score of zero for the exercise during which the aid was received.

SECTION 8: Re-judging

If a dog has failed in a particular part of an exercise, it shall not ordinarily be rejudged nor given a second chance; but if in the judge's opinion the dog's performance was prejudiced by peculiar and unusual conditions, the judge may at his own discretion rejudge the dog on the entire exercise. Should the Judge find it necessary to rejudge a dog or dogs from the Group exercises, the dog or dogs shall be rejudged with the next scheduled group within that class. The limits on the number of dogs allowed in the ring for the group exercise contained in Chapter 3, Section 12 (Group Exercises) shall apply. Should there be no further group within that class, the dog or dogs to be rejudged shall immediately do the exercises alone. The dog or dogs involved will be rejudged only on the exercise in question.

SECTION 9: Ties

In case of a tie for any prize in the Novice, Open or Utility class, each dog shall be tested again, individually, by having it perform the entire Novice Heel Free exercise. The original score and any placement and/or leg the team won shall not be changed regardless of the outcome of the run off. This includes, but is not limited to, events such as a dog fouling the ring.

SECTION 10: Judge's Book and Score Sheets

The judge or his/her designated steward must enter the number of points deducted from each exercise in the official judge's book immediately after each dog has been judged on the individual exercises. An "NQ" should be recorded in the proper box and in the Total Score column for any dog who fails to qualify in that exercise. This is to be completed before the next dog is judged. Scores for the Group Exercises and qualifying total scores will be entered in the official judge's book immediately after each group of dogs has been judged. No score may be changed except to correct a mathematical error or if a score is entered in the wrong column.

All final scores, after review and approval by the judge, must be entered in the judge's book before prizes are awarded. No person other than the judge may make any entry in the judge's book except the judge's designated steward who may enter scores only. Judges may use separate score sheets for their own purposes, but shall not give out nor allow exhibitors to see such sheets, nor give out any other written scores, nor permit anyone else to distribute score sheets of cards prepared by the judge. Copies of the sheets from the official judge's book shall be made available through the Show or Trial Secretary for examination by the owners and handlers immediately after the prizes have been awarded in each class.

It will be mandatory at all ASCA® sanctioned Obedience Trials for the Obedience Trial or Show Committee to prepare an Australian Shepherd Club of America, Unofficial Score Sheet for regular obedience classes for each exhibitor that requests one the day of the trial. The Unofficial Score Sheet will be made available after the prizes are awarded only and must contain no more information than is shown in the Judges book or that is itemized on the score sheet itself.

SECTION 11: Announcement of Scores (This was handled as an Emergency Motion: Effective 1/2012)

The judge shall not disclose any score or partial score to contestants or spectators until he has completed the judging of the entire class or, in the case of a split class, until he has completed the judging of his division; nor shall he permit anyone else to do so. Immediately following the final exercise for any class, the judge shall inform all handlers whether or not they qualified. After all the scores are recorded for the class, or for the division in the case of a split class, the judge shall call for the available dogs that have earned Qualifying scores to be brought into the ring. Before awarding the prizes, the judge shall inform the spectators as to the maximum number of points for a perfect score, and shall then announce the score of each prize winner, and announce to the handler the score of each dog that has earned a Qualifying score.

SECTION 12: Explanations and Errors

The judge is not required to explain his scoring, and need not enter into any discussion with any contestant who appears to be dissatisfied. However, after prizes have been awarded and the Judge's book turned in, the Judge is encouraged but not required to discuss the scoring with the exhibitor. Any interested person who thinks that there may have been a mathematical error or an error in identifying a dog may report the facts to one of the stewards or to the Show or Trial Secretary so that the matter may be checked.

SECTION 13: Compliance with Regulations and Standards

In accordance with the certification on the entry form, the handler of each dog and the person signing each entry form must be familiar with the Obedience Regulations applicable to the class in which the dog is entered.

SECTION 14: Handicapped Handlers

The Australian Shepherd Club of America strives to provide an opportunity for everyone to participate in its events. As such, a judge may modify the judging requirements to accommodate a physically challenged handler.

Judges may modify the specific requirements of these Regulations to the extent necessary to permit physically challenged handlers to compete, provided such handlers can move about the ring without physical assistance or guidance from another person except for the Judge or Steward. Blind handlers may have a Steward assist them in individual and group exercises.

The primary function of exhibiting the dog is the responsibility of the handler and not the assistant. A physically challenged handler may compete using a cane, crutch, or wheelchair.

Dogs handled by such handlers shall be required to perform all parts of all exercises as described in these Rules and Regulations, and shall be penalized for failure to perform any part of an exercise.

SECTION 15: Catalog Order

Dogs should be judged in catalog order to the extent that it is practical to do so without holding up the judging in any ring.

Judges are not required to wait for dogs for either the individual exercises or the Group exercises. It is the responsibility of each handler to be ready with his dog at ringside when required, without being called. The judge's first consideration should be the convenience of those exhibitors who are at ringside with their dogs when scheduled, and who ask no favors.

A judge may agree, on request in advance of the scheduled starting time of the class, to judge a dog earlier or later than the time scheduled by catalog order. However, a judge should not hesitate to mark absent and to refuse to judge any dog and handler that are not at ringside ready to be judged in catalog order if no arrangement has been made in advance.

SECTION 16: Use of Leash

All dogs shall be kept on leash except when in the obedience ring or exercise ring. Dogs should be brought into the ring and taken out of the ring on leash. Dogs may be kept on leash in the ring when brought in to receive awards, and when waiting in the ring before and after the Group exercises. The leash shall be left on the judge's table or other designated place, between the individual exercises, and during all exercises except the Heel on Leash and Group exercises. The leash must be of fabric or leather and, in the Novice classes, need be only of sufficient length to provide adequate slack in the Heel on Leash exercise.

SECTION 17: Collars

Dogs in the obedience ring must wear a collar. The collar may be of a buckle, slip or martingale type. Buckle collars with the buckle made of metal or plastic with or without a tongue must be used. Slip collars of an appropriate single length of leather, fabric or chain with two (2) rings, one (1) on each end are acceptable. Martingale collars may be of any combination of chain, fabric or leather. Collars made of leather, fabric or chain, may be of any color, decorations may be stamped into the leather or fabric. Dog's name and/or title may not be on the collar. Special training collars (prong or spikes on the inside or outside, electronic collars) or collars that are either too tight or so large that they hang down unreasonably in front of the dogs, are not permitted. There shall not be anything hanging from the collars.

SECTION 18: Heel Position

The Heel position as used in these Regulations, whether the dog is sitting, standing, lying down, or moving at heel, means that the dog shall be straight in line with the direction in which the handler is facing, at the side of the handler's left leg without crowding, permitting the handler freedom of motion at all times. The area from the dog's head to shoulder shall be in line with the handler's left hip.

SECTION 19: Hands

In all exercises in which a dog is required to heel on-lead, one of the options listed shall be followed: (1) The handler's arms and hands shall move naturally at his/her sides while in motion, with the leash held in the left hand, or (2) The hand(s) holding the leash will be held against, and centered in the front of the body, in the area of the waist. The forearm(s) shall be carried, as much as possible, against the body. In exercises in which the dog is required to heel off leash (free), one of the options listed shall be followed: (1) The handler's arms and hands shall move naturally at his/her sides while in motion and hang naturally at his/her sides when stopped, or (2) the handler's right hand and arm shall move naturally at his/her side while his/her left hand shall be held against and centered in front of the body in the area of the waist. The left forearm shall be carried, as much as possible, against the body. In any of the above situations, the hands and arms may be adjusted during the fast portion of the exercise, in order to maintain balance. Hand position, other than during the fast, must remain constant during the heeling exercise, except if a hand signal is used to begin heeling. In that case, an acceptable hand gesture is allowed instead of a verbal command. After the hand gesture is made, the hand must return to one of the acceptable positions. There shall be a minor to substantial deduction if the hands and arms are not carried in one of the positions state above.

In all exercises in which the dog is required to 'Come to' or 'Return to' the handler and 'Sit in Front', the handler's arms and hands shall hang naturally at his sides while the dog is coming in and until the dog has sat in front. A substantial deduction shall be made if a handler's arms and hands are not hanging naturally at his sides while the dog is coming in and until the dog has sat in front.

SECTION 20: Commands and Signals

Whenever a command or signal is mentioned in these Rules & Regulations, a single command or signal only may be given by the handler and any extra commands or signals must be penalized; except that whenever the Rules & Regulations specify "command and/or signal" the handler may give either one (1) or the other or both command and signal simultaneously. When a signal is permitted and given, it must be a single gesture with one (1) arm and hand only, and the arm must immediately be returned to a natural position. Delay in following a judge's order to give a command or signal must be penalized, unless the delay is directed by the judge because of some distraction or interference.

Signaling correction to a dog is forbidden and must be penalized. Signals must be inaudible and the handler must not touch the dog. Any unusual noise or motion may be considered to be a signal.

Position of the arms and hands and movements of the body that aid the dog shall be considered additional signals except that a handler may bend the body and knees as far as necessary to bring his hand on a level with the dog's eyes in giving a signal to a dog in the Heel position, and that in the 'Directed Retrieve' exercise the body and knees may be bent to the extent necessary to give the direction to the dog. Whistling or the use of a whistle is prohibited.

The dog's name may be used once immediately before any verbal command or before a verbal command and signal when these Regulations permit command and/or signal. The name shall not be used with any signal not given simultaneously with a verbal command. The dog's name, when given immediately before a verbal command, shall not be considered as an additional command, but a dog that responds to its name without waiting for the verbal command shall be scored as having anticipated the command. The dog should never anticipate the handler's directions, but must wait for the appropriate commands and/or signals. Moving forward at the heel without any command or signal other than the natural forward movement of the handler's body, shall not be considered as anticipation. Loud commands by handlers to their dogs create a poor impression of Obedience and should be avoided. Shouting is not necessary even in a noisy place if the dog is properly trained to respond to a normal tone of voice. Commands which in the judge's opinion are excessively loud will be substantially penalized.

An extra command and/or signal in any non-principal part of an exercise does not, in itself, constitute a failing score or zero.

SECTION 21: Additional Commands or Signals

If a handler gives an additional command or signal not permitted by these Regulations, either when no command or signal is permitted, or simultaneously with or following a permitted command or signal, or if he uses the dog's name with a permitted signal but without a permitted command, the dog shall be scored as though it had failed completely to perform that particular part of the exercise.

SECTION 22: Praise

Praise and petting are allowed between and after exercises, but points must be deducted from the total score for a dog that is not under reasonable control while being praised. A handler shall not carry or offer food in the ring. There shall be a substantial penalty for any dog that is picked up or carried at any time in the obedience ring.

SECTION 23: Handling between Exercises

In the Novice classes the dog may be guided gently by the collar between exercises and to get it into proper position for an exercise. No other physical guidance, such as placing the dog in position with the hands or straightening the dog with the knees or feet, is permitted and shall be substantially penalized even if occurring before or between the exercises.

In the Open and Utility classes there shall be a substantial penalty for any dog that is physically guided at any time or that is not readily controllable.

Posing for examination and holding for measurement are permitted. Imperfections in heeling between exercises will not be judged.

Minor penalties shall be imposed for a dog that does not respond promptly to its handler's commands or signals before or between exercises in the Open and Utility classes.

SECTION 24: Orders and Minimum Penalties

The orders for the exercises and the standards for judging are set forth in the following chapters. The list of faults is not intended to be complete.

Minimum penalties are specified for most of the more common and serious faults. There is no maximum limit on penalties. A dog which makes none of the errors listed may still fail to qualify or may be scored zero for other reasons.

SECTION 25: Misbehavior

Any display of fear or nervousness by the dog, or any uncontrolled behavior of the dog such as snapping, barking, or running away from its handler, whether it occurs during an exercise, between exercises, or before or after judging, must be penalized according to the seriousness of the misbehavior, and the judge may excuse the dog from further competition in the class. If such behavior occurs during an exercise, the penalty must first be applied to the score for that exercise. Should the penalty be greater than the value of the exercise during which it is incurred, the additional points shall be deducted from the total score under Misbehavior. If such behavior occurs before or after the judging or between exercises, the entire penalty shall be deducted from the total score. In any ASCA® class (regular or non-regular) at any trial (including Nationals and Finals), any dog that fouls the ring while in the ring for judging shall lose all allowable points for that class (Sub-Novice 160; other classes 200 points.) In the case of Team competition, any dog that fouls the ring will lose the total 200 points while the other dogs will continue to be judged. At the judge's discretion, a dog that fouls the ring may be excused from further competition.

The judge must disqualify any dog that attempts to attack any person in the ring. He may excuse a dog that attacks another dog or that appears dangerous to other dogs in the ring.

SECTION 26: Training and warm-up on the show grounds

There shall be no drilling nor intensive or abusive training of dogs on the grounds or premises at a Specialty or Sanctioned Obedience Trial. All dogs shall be kept on lead except when in the obedience ring or exercise ring. Special training collars shall not be used on the grounds or premises at an Obedience Trial.

These requirements shall not be interpreted as preventing a handler from moving normally about the grounds or premises, nor from warming up his or her dog using any exercise performed in the obedience ring, provided that the dog is on a lead being held by the handler. The warm up should be performed away from the obedience ring and must not be disruptive to any other person or dog. Physical or verbal disciplining of dogs shall not be permitted except to a reasonable extent in the case of an attack on a person or another dog. Practice rings may be provided at the discretion of the show giving club but are not mandatory. The show giving club will post signs in clear view that will state: No intensive or abusive training will be tolerated. This sign will further state that anyone who is witnessed to violate this privilege, as testified by two people, will be subject to disciplinary action under the rules for resolution of dispute (Section D1 - D10). The sign will further say that anyone witnessing such intensive or abusive training should report such to the show or obedience chairman or other club member. Any person, accused by two witnesses, of violating the rules in Section 26, will be dealt with promptly, during the trial if possible, after the offender has been notified of the specific charges against him, and has been given an opportunity to be heard in his own defense in accordance with the Rules for Resolutions of Disputes. (See Section D1 - D10) The Show or Obedience Trial Committee, shall be responsible for compliance with this section, and shall investigate any reports of infractions.

SECTION 27: Training and Disciplining in the Ring

The judge shall not permit any handler to train his dog by excessive verbal commands or by moving toward the dog to correct it in any way, nor to practice any exercise in the ring either before or after he is judged, and shall excuse from further competition in the class any dog whose handler does either. A dog whose handler disciplines it in the ring shall be excused from further competition in the class and shall not receive a Qualifying score. Any abuse of a dog in the ring must be immediately reported by the judge to the Show or Obedience Trial Committee for action under Rules for Resolutions of Disputes. (See Section D1-D10)

SECTION 28: Abuse of Dogs

The Show or Obedience Trial Committee shall investigate any reports of abuse of dogs on the grounds or premises of a Specialty or Sanctioned Obedience Trial. Any person who, at a Specialty or Sanctioned Obedience Trial conducts himself in such manner or in any other manner prejudicial to the best interests of the sport, or who fails to comply with the requirements of Chapter 2, Section 26, shall be dealt with promptly, during the trial if possible, after the offender has been notified of the specific charges against him, and has been given an opportunity to be heard in his own defense in accordance with the Rules for Resolutions of Disputes.(See Section D1-D10)

SECTION 29: Discipline - see Rules for Resolutions of Disputes - Section D1-D10

CHAPTER 3 NOVICE

SECTION 1: Novice A Class

The Novice class shall be for dogs not less than six (6) months of age that have not earned the C.D. title from any registry. A dog that is owned by a person who has previously handled or regularly trained a dog that has earned a C.D. title from any registry may not be entered in the Novice A class, nor may a dog be handled in this class by such person.

More than one dog may be shown by the handler provided the handler has not placed a C.D. title on a dog from any registry and the dog does not have a C.D. title from any registry. Each dog in this class must have a different handler during sits and downs when judged in the same group

A dog may continue to be shown in Novice A for 180 days following notification by three (3) judges, two (2) of whom are different, that the requirements for a CD have been completed. After the 180 day grace period is over the team must move out of Novice A. The team can move to Novice B and remain there until they receive a HIT OR earn an Open leg. Failure to move out of Novice A will result in the loss of all wins, placements, scores, prizes, etc... earned beyond the grace period.

SECTION 2: Novice B Class

The Novice B class shall be for dogs not less than six (6) month of age that do not qualify for Novice A.

and facing the judge, shall walk briskly twice completely around and between the two (2) stewards, who shall stand eight (8) feet apart. The Figure Eight in the Novice classes shall be done on leash. The handler may choose to go in either direction. There shall be no "About turn" or "Fast" or "Slow" in the Figure Eight, but the judge must order at least one (1) "Halt" during and another "Halt" at the end of this portion of the exercise.

SECTION 6: Heel on Leash & Figure Eight, Scoring

If a dog is unmanageable, or if its handler constantly controls its performance by tugging on the leash or adapts pace to that of the dog, the dog must be scored zero (0).

Substantial deductions shall be made for additional commands or signals to heel and for failure of dog or handler to noticeably accelerate forward for the Fast and noticeably decelerate speed forward for the Slow.

Substantial or minor deductions shall be made for such things as lagging, heeling wide, forging, crowding, poor sits, handler failing to walk at a brisk pace, occasional guidance with leash and other imperfections in heeling. Substantial or minor deductions shall be made for hand and arm positions that deviate from those allowed in Chapter 2, Section 19, Hands.

In scoring this exercise the judge shall accompany the handler at a discreet distance so that he can observe any signals or commands given by the handler to the dog. The judge must do so without interfering with either dog or handler.

SECTION 7: Stand for Examination

The principal features of this exercise are that the dog stands in position before and during the examination, and that the dog display neither shyness nor resentment.

Orders are "Stand your dog and leave when you are ready", "Back to your dog" and "Exercise finished". There will be no further command from the judge to the handler to leave the dog.

On Judge's order, the handler shall remove the leash and give it to a Steward who shall place it on the Judge's table or other designated place.

The handler will take his dog to the place indicated by the Judge, and on judge's order the handler will stand and/or pose his dog off leash by the method of his choice, taking any reasonable time if he chooses to pose the dog as in the show ring. When he is ready, the handler will stand with the dog in the heel position and give his command and/or signal to the dog to stay, walk forward about six (6) feet in front of the dog, turn around and stand facing the dog.

The judge shall approach the dog from the front, and shall touch only the dog's head, body and hindquarter, using the fingers and palm of one hand only. He shall then order, "Back to your dog", whereupon the handler shall walk around behind his dog and return to the "Heel" position. The dog must remain standing until after the judge has said "Exercise Finished".

SECTION 8: Stand for Examination, Scoring

The scoring of this exercise will not start until the handler has given the command and/or signal to "Stay", except for such things as rough treatment of the dog by its handler or active resistance by the dog to its handler's attempts to make it stand. Either of these shall be penalized substantially.

A dog shall be scored zero (0) if it displays shyness or resentment, growls or snaps at any time, sits or lies down before or during the examination, or moves away from the place where it was left either before or during the examination.

Minor or substantial deductions, depending on the circumstance, shall be made for a dog that moves its feet at any time or sits or moves away after the examination has been completed.

SECTION 9: Heel Free, Performance and Scoring

This exercise shall be executed in the same manner as "Heel on Leash" and "Figure Eight" except that the dog shall be off leash and that there shall be no "Figure Eight". For permitted arm and hand positions, see Chapter 2, section 19 Hands. Orders and scoring shall also be the same.

SECTION 10: Recall

The principal features of this exercise are that the dog “stays” where left until called by its handler and that the dog responds promptly to the handler's command or signal to "Come".

Orders are "Leave your dog", "Call your dog", and "Finish".

On order from the judge, the handler may give command and/or signal to the dog to "Stay in the Sit" position while the handler walks forward about thirty-five (35) feet to the other end of the ring, where he shall turn and stand in a natural manner facing his dog. On judge's order or signal, the handler will give command or signal for the dog to "Come". The dog must come directly in at a brisk trot or gallop and sit straight, centered immediately in front of the handler's feet, close enough that the handler could readily touch its head without moving either foot or having to stretch forward. The dog must not touch the handler or sit between his feet.

On judge's order the handler will give command or signal to "Finish" and the dog must go smartly to the “Heel” position and “Sit”. The manner in which the dog finishes shall be optional with the handler provided that it is prompt and that the dog “Sit” straight at “Heel”.

SECTION 11: Recall, Scoring

A dog must receive a score of zero (0) for the following: not Staying without additional command or signal, failure to “Come” on the first command or signal, moving from the place where left before being called or signaled, not sitting close enough so that the handler could readily touch its head without stretching or moving either foot.

Substantial deductions shall be made for a slow response to the “Come”, varying with the extent of the slowness; failure of the dog to come at a brisk trot or gallop; for the dog's standing or lying down instead of waiting in the “Sit” position; for failure to “Sit in Front”; failure to “Finish” or “Sit at Heel”; or for extra command or signal to “Sit” or “Finish”.

Minor to substantial deductions shall be made depending on the specific circumstances in each case for failure to come directly in to the handler.

Minor deductions shall be made for slow or poor “Sits” or for “Finishes” which are not prompt or smart, for touching the handler on coming in or while finishing, and for sitting between the handler's feet.

SECTION 12: Group Exercises

Obedience Group Exercises shall be performed either first, before the individual exercises, or in groups of up to twelve (12), as the individual exercises are completed, at the discretion of the host club, and so stated in the show/trial flyer or premium list.

The principal feature of these exercises is that the dog remains in the “Sitting” or “Down” position, whichever is required by the particular exercise.

Orders are "Sit your dogs", or "Down your Dogs", "Leave your dogs" and "Back to your dogs".

All the competing dogs in the class take their exercises together, except that if there are twelve (12) or more dogs they shall, at the judge's option, be judged in groups of not less than six (6) nor more than twelve (12) dogs. When the same judge does both Novice A and Novice B, the two (2) classes may be combined provided there are not more than twelve (12) dogs competing in the combined classes. The judge shall divide his class into approximately equal sections. The dogs that are in the ring shall be lined up in catalog order along one (1) of the four (4) sides of the ring. Handler's armbands, weighted with leashes or other articles if necessary, shall be placed behind the dogs.

For the “Long Sit” the handlers shall, on order from the judge, command and/or signal their dogs to “Sit” if they are not already sitting. On further order from the judge to leave their dogs, the handlers shall give a command and/or signal to “Stay” and immediately leave their dogs. The handlers will go to the opposite side of the ring, turn and stand facing their respective dogs.

If a dog gets up and starts to roam or follows its handler, or if a dog moves so as to interfere with another dog, the judge shall promptly instruct the handler or one (1) of the stewards to take the dog out of the ring or to keep it away from the other dogs.

After one (1) minute from the time he has ordered the handlers to leave their dogs, the Judge will give the order to return, whereupon the handlers must promptly go back to their dogs, each walking around and in back of his own dog to the "Heel" position. The dogs must not move from the Sitting position until after the judge has said, "Exercise finished". The judge shall not give the order "Exercise finished" until the handlers have returned to the "Heel" position.

Before starting the "Long Down", the judge shall ask if the handlers are ready. The "Long Down" is done in the same manner as the "Long Sit" except that instead of sitting their dogs the handlers shall, on order from the judge, "down" their dogs to a position facing the opposite side of the ring, without touching either the dogs or their collars, and the judge will order the handlers to return after three (3) minutes. The dogs must not move from the "Down" position until after the judge has said, "Exercise Finished".

The dogs shall not be required to "sit" at the end of the "Down" exercise.

SECTION 13: Group Exercises, Scoring

During these exercises the judge shall stand in such position that all the dogs are in his line of vision, and where he can see all the handlers in the ring without having to turn around.

Scoring of the exercises will not start until after the judge has ordered the handlers to leave their dogs, except for such things as rough treatment of a dog by its handler or resistance by a dog to its handler's attempts to make it "sit" or "lie down". These shall be penalized substantially; in extreme cases the dog may be excused.

A dog may earn a qualifying score even if it is the only dog participating in the Group Exercises.

A handler whose dog assumes a position in such a manner that it could interfere with an adjacent competing dog shall be required to reposition his dog and shall also be substantially penalized; in extreme cases the dog may be excused.

A score of zero (0) is required for the following: the dog's moving at any time during either exercise a substantial distance away from the place where it was left, or going over to any other dog, or staying on the spot where it was left but not remaining in whichever position is required by the particular exercise until the handler has returned to the "Heel" position, or repeatedly barking or whining.

A substantial deduction shall be made for a dog that moves even a minor distance away from the place where it was left or that barks or whines only once or twice or that changes its position after the handler has returned to the heel position and before the Judge has given the order "Exercise finished". Depending on the circumstance, a substantial or minor deduction shall be made for touching the dog or its collar in getting the dog into the "down" position.

The judge shall not give the order "Exercise Finished" until the handlers have returned to the "Heel" position.

CHAPTER 4: OPEN

SECTION 1: Open A Class

The Open A class shall be for any dogs that have earned the C.D. title from ASCA® but have not earned the C.D.X. title from any registry.

A dog may continue to be shown in Open A for 180 days following notification by three (3) judges, two (2) of whom are different, that it has completed the requirements for the CDX title. After the 180 day grace period is over, the team must move to either Open B, Open V, or another class for which they are eligible. Failure to move on will result in the loss of all wins, placements, scores, prizes, etc... earned after the grace period. Once an Open A dog enters Utility, it can no longer enter Open A. A dog may not compete in Open A and Utility at the same trial.

Each dog in this class must have a different handler during the "Long Sit" and "Long Down" when judged in the same group.

SECTION 2: Open B Class

The Open B class shall be for dogs that have earned the C.D., CDX or CDX -V title from ASCA®. A dog may continue to show in this class after earning their CDX, CDX-V, UD or UD-V title from ASCA®. Dogs in this class may be handled by the owner or any other person. Owners may enter more than one (1) dog in this class. The person who handles the dog in the first five (5) exercises must also handle that dog in the "long Sit" and "Long Down" exercises unless the class will only have one group of stays. If this occurs, the owner must have additional handlers standing by to handle the additional dog (s) during the "Stays." No dog may be entered in Open A or Open V when entered in Open B during any one (1) trial .

SECTION 3: Open V Class

The Open V Class shall be for dogs aged 7 years or older who have earned the CD (Companion Dog) title from ASCA®. This class shall NOT be mandatory for dogs aged (7) seven years or older. The Open V class shall not be eligible for High in Trial or High Combined awards. This class shall not be eligible for Merit and National Finals standings. Titles earned in this class are eligible for the Hall Of Fame program. Dogs will jump four (4) inches lower in this class than the specified height for Open A and B classes. Order of exercises will follow Open A. Legs earned toward a CDX title may be transferred to Open V from the Open A or B class. Legs earned in Open V may not be transferred to the Open A or B class.

A dog may continue to be shown in this class indefinitely after winning their CDX or CDX-V or UD or UD-V or UDX from ASCA®. Dogs in this class may be handled by the owner or any other person. Owners may enter more than one (1) dog in this class. The person who handles the dog in the first five (5) exercises must also handle that dog in the "long Sit" and "Long Down" exercises unless the class will have only one group of stays. If this occurs, the owner must have additional handlers standing by to handle the additional dog (s) during the "Stays". No dog may be entered in Open A or Open B during any one (1) trial when entered in the Open V class

SECTION 4: Open Exercises and Scores

1. Open A and Open V shall use the following order of exercises:

1. Heel Free and Figure Eight	40 points
2. Drop on Recall	30 points
3. Retrieve on Flat	20 points
4. Retrieve over High Jump	30 points
5. Broad Jump	20 points
6. Long Sit	30 points
7. Long Down	30 points
Maximum Total Score	200 points

2. Open B shall use one of the following orders of exercises:

Open B I	
1. Heel Free and Figure Eight	40 points
2. Drop on Recall	30 points
3. Retrieve on the Flat	20 points
4. Retrieve over High Jump	30 points
5. Broad Jump	20 points
6. Long Sit	30 points
7. Long Down	30 points
Maximum Total Score	200 points

Open B II

1. Drop on Recall	30 points
2. Broad Jump	20 points
3. Heel Free and Figure Eight	40 points
4. Retrieve on the Flat	20 points
5. Retrieve over High Jump	30 points
6. Long Sit	30 points
7. Long Down	30 points
Maximum Total Points	200 points

Open B III

1. Retrieve on the Flat	20 points
2. Figure Eight and Heel Free	40 points
3. Retrieve over High Jump	30 points
4. Broad Jump	20 points
5. Drop on Recall	30 points
6. Long Down	30 points
7. Long Sit	30 points
Maximum Total Points	200 points

Open B IV

1. Retrieve over High Jump	30 points
2. Retrieve on the Flat	20 points
3. Broad Jump	20 points
4. Drop on Recall	30 points
5. Heel Free and Figure Eight	40 points
6. Long Sit	30 points
7. Long Down	30 points
Maximum Total Points	200 points

Open B V

1. Broad Jump	20 points
2. Retrieve over High Jump	30 points
3. Drop on Recall	30 points
4. Figure Eight and Heel Free	40 points
5. Retrieve on the Flat	20 points
6. Long Down	30 points
7. Long Sit	30 points
Maximum Total Points	200 points

The Open B judge shall select one of the orders of exercises from the sheets provided by the host club and post it at ringside at least thirty (30) minutes before the class is scheduled to begin. If there is only a start time for the show, it shall be posted thirty (30) minutes before the show is scheduled to begin. Each judge will use Orders I through V equally in their assignments.

Group Exercises may be done either before or following the individual exercises as per Ch. 4, Section 14, paragraph a.

SECTION 5: CDX and CDX-V Title

ASCA® will issue a Companion Dog Excellent or a Companion Dog Excellent – Veteran certificate to a dog with ASCA® registration or a tracking number, and will permit the use of CDX or CDX-V after its name, when it has received three (3) qualifying scores awarded by at least (2) judges. A dog may earn a qualifying score even if it is the only dog participating in the Open Group Exercises.

SECTION 6: Heel Free and Figure Eight, Performance and Scoring

This exercise shall be executed in the same manner as the Novice "Heel on Leash" and "Figure Eight" exercises, except that the dog is "off leash". For permitted arm and hand positions, see Chapter 2, section 19 Hands. Orders and scoring are the same as in "Heel on Leash" and "Figure Eight".

SECTION 7: Drop on Recall

The principal features of this exercise, in addition to those listed under the Novice Recall, are the dog's prompt response to the handler's command or signal to "Drop", and dog's remaining in the "Down" position until again called or signaled to "Come". The dog will be judged on the promptness of its response to command or signal and not on its proximity to a designated point.

Orders for the exercise are "Leave your dog", "Call your dog", a signal to "Drop the dog", another "Call your dog" and "Finish". The Judge's signal must be clear to the handler but not obvious or distracting to the dog.

On order from the judge, the handler may give command and/or signal for the dog to stay in the "Sit" position while the handler walks forward about thirty-five (35) feet to the other end of the ring, where he shall turn and stand in a natural manner facing his dog. On Judge's order or signal, the handler shall give command or signal to "come" and the dog must start directly in at a brisk trot or gallop. On the Judge's arm or hand signal, the handler shall give command or signal to "Drop", and the dog must immediately drop completely to the "Down" position, where he must remain until, on Judge's order or signal, the handler again gives command or signal to "come".

SECTION 8: Drop on Recall, Scoring

All applicable penalties listed under the Novice Recall shall apply. In addition, a score of zero (0) is required for a dog that does not drop completely to the "Down" position on a single command or signal, and for a dog that drops but does not remain down until called or signaled.

Substantial deductions, varying with the extent, even to the point of zero (0), shall be made for delayed or slow response to the handler's command or signal to "Drop", for delay or slowness to "Down", and for slow response to either of the Recalls. All penalties as in the Novice Recall shall apply.

SECTION 9: Retrieve on the Flat

The principal feature of this exercise is that the dog retrieves promptly.

Orders are "Throw it", "Send your dog", "Take it", and "Finish".

The handler shall stand with his dog sitting in the "Heel" position in a place designated by the judge. On order, "Throw it", the handler shall give command and/or signal to "Stay", which signal may not be given with the hand that is holding the dumbbell, and throw the dumbbell a distance of at least twenty (20) feet. On order to send his dog, the handler shall give command or signal to retrieve.

The "retrieve" shall be executed at a brisk trot or gallop, the dog going directly to the dumbbell and retrieving it and returning directly to the handler without any unnecessary mouthing or playing. The dog must sit straight to deliver, centered immediately in front of the handler's feet, close enough that the handler can readily take the dumbbell without moving either foot or having to stretch forward. The dog must not touch the handler nor sit between his feet. On orders from the judge to take it, the handler shall give command or signal and take the dumbbell.

The "Finish" shall be executed as in the Novice Recall.

The dumbbell, which must be approved by the judge, shall be made of one (1) or more solid pieces of one of the heavy hardwoods, or of a rigid or semi-rigid, firm, non-toxic, non-wooded material, similar in size, shape, color and weight to a wooden dumbbell. Metal dumbbells are not permitted. Dumbbells shall not be hollowed out. It may be unfinished, or coated with a clear finish, or may be of any color. It shall have no decorations or attachments but may bear an inconspicuous mark for identification. The size of the dumbbell shall be proportionate to the size of the dog. The judge shall require the dumbbell to be thrown again before the dog is sent if, in his opinion, it is thrown less than twenty (20) feet, or too far to one side, or too close to the ringside.

SECTION 10: Retrieve on the Flat, Scoring

A dog that fails to go out on the first command or signal, or goes to retrieve before the command or signal is given, or fails to retrieve, or does not return with the dumbbell sufficiently close that the handler can easily take the dumbbell as described above, must be scored zero (0).

Substantial deductions, depending on the extent, shall be made for slowness in going or returning or in picking up the dumbbell, for not going directly to the dumbbell, for mouthing or playing with or dropping the dumbbell, and for reluctance or refusal to release the dumbbell to the handler. All other applicable penalties listed under the Novice Recall shall apply.

SECTION 11: Retrieve over High Jump

The principal features of this exercise are that the dog goes out over the jump, pick up the dumbbell and promptly return with it over the jump.

Orders are "Throw it", "Send your dog", "Take it", and "Finish".

This exercise shall be executed in the same manner as the "Retrieve on the Flat", except that the dog must clear the High Jump both going and coming. The handler must stand at least eight (8) feet, or any reasonable distance beyond eight (8) feet, from the jump but must remain in the same spot throughout the exercise, and he must throw the dumbbell at least eight (8) feet beyond the jump.

The minimum jump shall be set at the nearest multiple of two (2) inches to three quarters (3/4) the height of the dog at the withers for the following breeds:

Anatolian Shepherd Dog	English Bulldog	And mixed breeds with the following:
Basset Hound	Estrala Mountain Dog	Neopolitan Mastiff
Bernese Mountain Dog	French Bulldog	Newfoundland
Black Russian Terrier	Great Danes	Pekingese
Bloodhound	Great Pyrenees	Pembroke Welsh Corgi
Bullmastiffs	Irish Wolfhound	Perro de Presa Canario
Cardigan Welsh Corgi	Kangal Dog	Petit Basset Griffon Vendeen
Caucasian Mountain Dog	Kuvasz	Saint Bernard
Central Asian Shepherd Dog	Leonberger	Skye Terrier
Clumber Spaniel	Mastiff	Tibetan Mastiff
Dachshund	Newfoundland	
Dogo Argentino	Saint Bernard	
Dogue De Bordeaux		

The minimum jump shall be set to the nearest multiple of two (2) inches to the height of the dog at the withers for all other dogs, with no dog jumping less than eight (8) inches or more than thirty-six (36) inches. If the height of the dog at the withers is over an even number (10", 12", 14") the dog shall jump at the next lowest height (example: If dog measures 21-1/2 inches the dog shall jump 20 inches).

Handlers requesting their dogs jump more than the minimum required height shall neither be penalized nor receive extra consideration.

For breeds that jump three quarters (3/4) the height of the dog at the withers, the minimum jumps shall be set in accordance with the following table:

Measured height of Dog at Withers	Jump Height
Less than 12-1/2"	8"
12-1/2" to less than 15"	10"
15" to less than 17-1/5"	12"
17-1/2" to less than 20"	14"
20" to less than 23"	16"
23" to less than 25-1/2"	18"
25-1/2" to less than 28"	20"
28" to less than 31"	22"
31" to less than 33-1/2"	24"
33-1/2" to less than 36"	26"
36" to less than 39"	28"

The jumps may be preset by the stewards based on the handler's advice as to the dog's height. The judge must make certain that the jump is at least the minimum required height for each dog, and must also be aware that the jump shall be set at a higher height if requested by the handler. The Judge may, at his/her discretion, verify the height of any dog at the withers.

The side posts of the High Jump shall be four (4) feet high and may be made of metal, wood or wood like material. The jump shall be five (5) feet wide and shall be so constructed as to provide adjustment for each two (2) inches from eight (8) inches to thirty-six (36) inches. It is suggested that the jump have a bottom board eight (8) inches wide including the space from the bottom of the board to the ground or floor, together with three (3) other eight (8) inch boards, one (1) four (4) inch board, and one (1) two (2) inch board. A six (6) inch board may also be provided. Boards may be made of any rigid material. The Boards must be able to stack upon each other. The Boards must slide into or over the uprights. The Boards cannot be attached to the side posts, with the exception of the bottom board. No interlocking boards allowed. The jump shall be painted a flat white. The width in inches, and nothing else, shall be painted in black two (2) inch figures, and the figure on the bottom board representing the distance from the ground to the top of the board. If the high jump is made of material other than wood, it must weigh the same as if it was made of wood. (This is to keep the jump from falling over in a wind and/or if the dog taps the jump in going over it.) The weight requirement may be waived if the jump set is commercially made.

SECTION 12: Retrieve over High Jump, Scoring

Scoring of this exercise shall be as in Retrieve on the Flat. In addition, a dog that fails, either going or returning, to go over the full height of the jump, or that climbs or uses the jump for aid in going over, must be scored zero (0). Minor or substantial deductions, depending on the specific circumstances in each case, shall be made for the dog that touches the jump in going over or displays any hesitation or reluctance to jump. All other appropriate penalties for the "Retrieve on the Flat" apply.

SECTION 13: Broad Jump

The principal features of this exercise are that the dog "stay" where left until directed to "Jump" and that the dog clear the jump on a single command or signal.

Orders are "Leave your dog", "Send your dog", and "Finish".

The judge will ask the handler what method he/she will use to complete the exercise. The handler will respond with either "at the jump" or "beyond the jump".

The handler who responds "at the jump" will stand with his dog sitting in the "Heel" position in front of and at least eight (8) feet from the jump. On order from the judge to "Leave your dog", the handler will give his dog the command and/or signal to "Stay" and go to a position facing the right side of the jump, with his toes about two (2) feet from the jump, and anywhere between the lowest edge of the first hurdle and the highest edge of the last hurdle. On order from the judge the handler shall give the command or signal to "Jump" and the dog shall clear the entire distance of the Broad Jump without touching and, without further command or signal, immediately return to a sitting position in front of the handler as in the Novice Recall. If using the "at the jump" method, the handler shall change his position by executing a right-angle turn while the dog is in midair, but shall remain in the same spot thereby having the dog execute a 180 degree turn. The dog must sit and finish as in the Novice recall.

The handler who responds “beyond the jump” will start the exercise as described above but will continue about ten (10) feet beyond the end of the last hurdle, standing at the same distance from the line of the jump and facing the same direction as in the “at the jump” method. On order from the judge the handler shall give the command or signal to “jump” and the dog will perform the jump as described above. The handler will not pivot and will remain motionless. The dog will come to front performing a 90 degree turn. The dog must sit and finish as in the Novice recall.

The Broad Jump shall consist of four (4) hurdles, built to telescope for convenience, made of boards about eight (8) inches wide, the largest measuring about five (5) feet in length and (6) inches high at the highest point, all painted a flat white. The boards for the hurdles may be made of metal, wood or wood like material. If the hurdles are made of material other than wood they must weigh the same as if they were made of wood. The weight requirement may be waived if the jump set is commercially made. When set up they shall be arranged in order of size and shall be evenly spaced so as to cover a distance equal to twice the height of the High Jump as set for the particular dog, with the low side of each hurdle and the lowest hurdle nearest the dog. The four (4) hurdles shall be used for a jump of forty-eight (48) inches to seventy-two (72) inches, three (3) for a jump of twenty-eight (28) inches to forty-four (44) inches, and two (2) for a jump of sixteen (16) inches to twenty-four (24) inches. When decreasing the number of boards in the jump, the highest hurdle shall be removed first. It is the judge's responsibility to see that the distance jumped is that required by these Rules and Regulations for the particular dog.

SECTION 14: Broad Jump, Scoring

A dog that fails to stay until directed to jump or refuses to jump on the first command or that fails to clear all boards must be scored zero (0). A minor or substantial deduction, depending on extent, shall be made for a dog touching any of the boards whereas a dog must receive zero (0) if it uses any of the boards as an obvious aid in jumping. Minor or substantial deductions, depending on the circumstances, shall be made for a dog that does not return directly to the handler or displays any hesitation or reluctance to jump. All other appropriate penalties listed under the Novice Recall shall apply.

SECTION 15: Open Group Exercises, Performance and Scoring

Obedience Group Exercises shall be performed either first, before the individual exercises, or in groups of up to 12, as the individual exercises are completed, at the discretion of the host club, and so stated in the show/trial flyer or premium list. A Group, in the case of the Open Class only, shall consist of one or more dogs and their handlers/s.

A dog may earn a qualifying score even if it is the only dog participating in the Group Exercises.

During the “Long Sit” and the “Long Down” exercises the judge shall stand in such a position that all of the dogs are in his line of vision, and where he can see all the handlers in the ring, or leaving and returning to the ring, without having to turn around.

These exercises in the Open classes are performed in the same manner as in the Novice classes except that after leaving their dogs the handlers must cross to the opposite side of the ring, and then leave the ring in single file as directed by the judge and go to a place designated by the judge, completely out of sight of their dogs, where they must remain until called by the judge after the expiration of the time limit of three (3) minutes in the “Long Sit” and five (5) minutes in the “Long Down”, from the time the judge gave the order, lining up facing their dogs at the opposite side of the ring, and return to their dogs on order from the judge.

Orders and scoring are the same as in the Novice Group exercises.

CHAPTER 5: UTILITY

SECTION 1: Utility A Class

The Utility A class shall be for any dogs that have earned the ASCA® CDX or CDX-V titles but have not earned the UD or UD-V and / or have not earned the UD title from another registry.

A dog may continue to be shown in Utility A for 180 days following notification by three (3) judges, two (2) of whom are different, that it has completed the requirements for the UD title. After the 180 day grace period is over, the team must move to either Utility B, Utility V, or another class for which they are eligible. Failure to move on will result in the loss of all wins, placements, scores, prizes, etc... earned after the grace period. No dog shall be entered in Utility A at any one (1) trial if it is entered in the Utility B or Utility V class.

SECTION 2: Utility B Class

The Utility B class shall be for dogs that have won the CDX, CDX-V, UD, UD-V title from ASCA®. Dogs with the UD title may continue to compete in this class. Dogs in this class may be handled by the owner or any other person. Owners may enter more than one (1) dog in this class. No dog shall be entered in the Utility B class at any one (1) trial if it is entered in the Utility A or Utility V class.

SECTION 3: Utility V Class

Utility V class shall be for dogs aged (7) seven years or older who have earned the CDX or CDX-V or the UD or UD-V title from ASCA®. This class shall NOT be mandatory for dogs aged 7 years and older. This class shall not be eligible for High in Trial or High or High Combined Awards. This class shall not be eligible for Merit and National Finals standings.

Titles earned in this class will be eligible for the Hall of Fame program. Dogs in this class shall jump four (4) inches lower than the height specified for Utility A and B classes. Legs earned in the Utility A and B classes may be transferred to the veteran program, but legs earned in the Utility V classes may not be transferred to the Utility A or B classes. Dogs in this class may be handled by the owner or any other person.

Owners may enter more than one dog in this class. No dog shall be entered in either Utility A or B if it is entered in the Utility V class at any one (1) trial.

SECTION 4: Utility Exercises and Scoring

Utility A and Utility V shall use the following order of exercises:

1. Signal Exercise	40 points
2. Scent Discrimination Article #1	30 points
3. Scent Discrimination Article #2	30 points
4. Directed Retrieve	30 points
5. Moving Stand and Examination	30 points
6. Directed Jumping	40 points
Maximum Total Points	200 points

Utility B shall use one of the following orders of exercises:

Utility B I

1. Signal Exercise	40 points
2. Scent Discrimination Article #1	30 points
3. Scent Discrimination Article #2	30 points
4. Directed Retrieve	30 points
5. Moving Stand and Examination	30 points
6. Directed Jumping	40 points
Maximum Total Points	200 points

Utility B II

1. Scent Discrimination Article #1	30 points
2. Scent Discrimination Article #2	30 points
3. Moving Stand and Examination	30 points
4. Signal Exercise	40 points
5. Directed Jumping	40 points
6. Directed Retrieve	30 points
Maximum Total Points	200 points

Utility B III

1. Directed Retrieve	30 points
2. Directed Jumping	40 points
3. Scent Discrimination Article #1	30 points
4. Scent Discrimination Article #2	30 points
5. Signal Exercise	40 points
6. Moving Stand and Examination	30 points
Maximum Total Points	200 points

Utility B IV

1. Moving Stand and Examination	30 points
2. Directed Retrieve	30 points
3. Directed Jumping	40 points
4. Scent Discrimination Article #1	30 points
5. Scent Discrimination Article #2	30 points
6. Signal Exercise	40 points
Maximum Total Points	200 points

Utility B V

1. Directed Jumping	40 points
2. Signal Exercise	40 points
3. Moving Stand and Examination	30 points
4. Directed Retrieve	30 points
5. Scent Discrimination Article #1	30 points
6. Scent Discrimination Article #2	30 points
Maximum Total Points	200 points

The Utility B judge shall select one of the orders of exercises from the sheets provided by the host club and post it at ringside at least thirty (30) minutes before the class is scheduled to begin. If there is only a start time for the show, it shall be posted thirty (30) minutes before the show is scheduled to begin. Each judge should attempt to use Orders I through V equally in his/her assignments.

SECTION 5: UD and UD-V Title

ASCA® will issue a Utility Dog or Utility Dog-V certificate to a dog with ASCA® registration or a tracking number, and will permit the use of UD or UD-V after its name, when it has received three (3) qualifying scores awarded by at least two (2) judges. A dog may earn a qualifying score even if it is the only dog competing.

SECTION 6: Signal Exercise

The principal features of this exercise are the ability of dog and handler to work as a team while heeling, and the dog's correct responses to the signals to "Stand", "Stay", "Drop", "Sit", and "Come". Orders are the same as in "Heel on Leash" and "Figure Eight" with the additions of "Stand your dog", which shall be given only when dog and handler are walking at normal pace, and "Leave your dog". The judge must use signals for directing the handler to signal the dog to "Drop", to "Sit" and to "Come", in that sequence, and to "Finish". Heeling in the Signal Exercise shall be done in the same manner as in "Heel Free", except that throughout the entire exercise the handler shall use signals only and must not speak to his dog at any time. On order from the judge, "Forward", the handler may signal his dog to walk at "heel", and on specific order from the judge in each case, shall execute a "Left turn", "Right turn", "About turn", "Halt", "Slow", "Normal" and "Fast".

These orders may be given in any sequence and may be repeated as necessary, but the judge shall attempt to standardize the heeling pattern for all dogs in the class.

On order from the judge, and while the dog is walking at "heel", the handler shall signal his dog to "Stand" in the "Heel" position near one end of the ring. On further order, "Leave your dog", the handler shall signal his dog to "Stay", go to the other end of the ring and turn to face his dog. On separate and specific signals from the judge, the handler shall give his signals to "Drop", to "Sit", to "Come" and to "Finish" as in the Novice Recall. During the heeling part of this exercise the handler may not give any signal except when a command or signal is permitted in the Heeling exercises.

SECTION 7: Signal Exercise, Scoring

A dog that fails, on a signal from the handler, to “Stand” or remain standing where left, or to “Drop”, or to “Sit” and “Stay”, or to “Come”, or that receives a command or audible signal from the handler to do any of these parts of the exercise, shall be scored zero (0). Minor or substantial deductions depending on the specific circumstances in each case, shall be made for a dog that walks forward on the “Stand”, “Drop” or “Sit” portions of the exercise.

All the penalties listed under the “Heel on Leash” and “Figure Eight”, and the Novice Recall exercises shall apply.

SECTION 8: Scent Discrimination

The principal features of these exercises are the selection of the handler's article from among the other articles by scent alone, and the prompt delivery of the right article to the handler.

The Judge will ask "Are you ready?" immediately prior to taking the article from the handler. The taking of the article from the handler will be considered to be the first order and scoring of the exercise will begin at that time. The remaining orders are "Send your dog", "Take it" and "Finish".

In each of these two exercises the dog must select by scent alone and retrieve an article which has been handled by its handler. The articles shall be provided by the handler and shall consist of two (2) sets, each comprised of five (5) identical objects not more than six (6) inches in length, which may be items of everyday use. One (1) set shall be made entirely of rigid metal, and one (1) of leather of such design that nothing but leather is visible except for the minimum amount of thread or metal necessary to hold the object together. The articles in each set must be legibly numbered, each with a different number and must be approved by the judge.

The handler shall present ten (10) regulation articles to the Judge. The Judge, or, on order from the Judge, the steward or handler will select one (1) article from each set. Only the handler will be allowed to touch the selected articles with his/her hands. The Judge, steward, or handler will use a device of the Judge's choosing (such as tongs) to remove the articles to be scented from the bag. The selected articles will be placed on the table, chair or other location designated by the Judge that is readily accessible to the handler. In order to preserve the continuity of the run, the articles should be placed on the chair or table before the beginning of the run. The Judge or steward will handle each of the remaining eight (8) articles, while randomly arranging them on the floor or ground about six (6) inches apart. The closest article should be about twenty (20) feet from the handler and dog. Before giving the command to send your dog, the Judge must make sure that the articles are visible to the handler and dog and that they are far enough apart so that there will be no confusion of scent among the articles.

Handler and dog shall turn around after watching the judge or steward spread the articles, and shall remain facing away from those articles until the judge has taken the handler's scented article and given the order, "Send your dog".

The handler may use either article first, but must relinquish each one immediately when ordered by the judge. The judge shall make certain that the handler imparts his scent to each article only with his hands and that, between the time the handler picks up each article and time he gives it to the judge, the article is held continuously in the handler's hands which must remain in plain sight.

On order from the judge, the handler will immediately place his article on the judge's book or work sheet. The judge, without touching the article with his hands, will place it among those on the ground or floor.

The judge will ask the handler what method he/she will use to send their dog for each article. The handler will respond with either, "send directly" or "after a sit." On order from the judge to "Send your dog," the handler may give their scent by extending the palm of one open hand in front of the dog's nose or gently touching the dog's nose, but the arm and hand must be returned to a natural position before turning to face the articles. The handler will then turn in place to send the dog by the method he/she has chosen. If it is to send directly, the handler will do a right about turn in place and may simultaneously give the command or signal to retrieve. The dog should not assume a sitting position but will go directly out to the articles with no further command from the handler. If it is after a sit, the handler may give the command or signal to heel and will turn in place either to the right or to the left to face the articles. The handler will halt with the dog sitting in the heel position. The handler will then give the command or signal for the dog to retrieve.

The dog shall go at a brisk trot or gallop directly to the articles. It may take any reasonable time to select the right article, but only provided it works continuously. After picking up the right article the dog shall return at a brisk trot or gallop and complete the exercise as in the Retrieve on the Flat.

These procedures shall be followed for both articles. Should a dog retrieve a wrong article in the first exercise, that article shall be placed on the table or chair. The correct article must be removed, and the second exercise shall be conducted with one (1) less article on the ground or floor.

If the scented articles are to be kept separate from the others at the end of the Scent Discrimination exercise, it is the responsibility of the handler to notify the steward.

SECTION 9: Scent Discrimination, Scoring

Deductions shall be the same as in the Novice Recall and the Retrieve on the Flat. In addition, a dog that fails to go out to the group of articles, or retrieves a wrong article, or fails to bring the right article to the handler, must be scored zero (0) for the particular exercise. If the "after a sit" option is used, a dog who anticipates the command to retrieve must receive a zero (0) / non-qualifying (NQ) score. If the "send directly" option is used, any additional command to retrieve or a dog who sits after the turn must receive a zero (0) / non-qualifying (NQ) score.

Substantial deductions shall be made for a dog that picks up a wrong article, even though he puts it down again immediately, for any roughness by the handler in imparting his scent to the dog, and for the handler not turning in place. There must be a substantial deduction for the handler giving the command to retrieve before the dog is sitting at heel, facing the articles.

Minor or substantial deductions, depending on the circumstances in each case, shall be made for a dog that is slow or inattentive, that does not go directly to the articles, or that does not work continuously and for any excessive motions by the handler in turning to face the articles. There shall be no penalty for a dog that takes a reasonably long time examining the articles provided the dog works smartly and continuously.

SECTION 10: Directed Retrieve

The principal features of the exercise are that the dog stay until directed to retrieve, that it go directly to the designated glove, and that it retrieve promptly. The orders for the exercise are "One", "Two" or "Three", "Take it" and "Finish". In this exercise the handler will provide three (3) predominantly white, cotton work gloves, which must be open and must be approved by the judge. The handler will stand with his back to the unobstructed end of the ring with his dog sitting in the Heel position midway between and in line with the two (2) jumps. The judge or steward will then drop the three (3) gloves across the end of the ring, while the handler and dog are facing the opposite direction, one (1) glove in each corner and one (1) in the center, about three (3) feet from the end of the ring and for the corner gloves, about three (3) feet from the side of the ring. All three (3) gloves will be clearly visible to the dog and handler, when the handler turns to face the glove designated by the judge. There shall be no table or chair at this end of the ring.

The gloves shall be designated "One", "Two" or "Three" reading from left to right when the handler turns and faces the gloves. The judge will give the order "One" or "Two" or "Three". The handler then may give the command to Heel and turn in place, right or left to face the designated glove. The handler will come to a halt with the dog sitting in the Heel Position. The handler shall not touch the dog to get it into position nor must he reposition the dog. The handler will then give his dog the direction to the designated glove with a single motion of his left hand and arm along the right side of the dog, and will give a verbal command to retrieve either simultaneously with or immediately following the giving of the direction. The dog shall then go directly to the glove at a brisk trot or gallop and retrieve it without unnecessary mouthing or playing with it, completing the exercise as in the Retrieve on the Flat.

The handler may bend his body and knees to the extent necessary in giving the direction to the dog, after which the handler will stand erect in a natural position with his arms at his sides.

The exercise shall consist of a single retrieve. Prior to the start of judging the Judge shall make the decision to either assign the gloves to dogs so that successive dogs in catalog order will have different gloves, or to assign the gloves as the dogs appear in the ring for judging so that two (2) successive dogs do not receive the same glove. In either case each glove shall be used approximately the same number of times.

SECTION 11: Directed Retrieve, Scoring

All applicable penalties listed under the Novice Recall and the Retrieve on the Flat shall apply. In addition, a score of zero (0) is required for any commands or signals by the handler, after turning, to position the dog to face the designated glove, for not going directly to the designated glove, or for not retrieving the glove.

Depending on the extent, a substantial deduction even to the point of zero (0) shall be made for not turning in place or not turning to face the designated glove.

Depending on the extent, substantial or minor deductions shall be made for a handler who over-turns or touches the dog or uses excessive motions while turning to face the glove.

SECTION 12: Moving Stand and Examination

The principal features of the exercise are that the dog heel, stand and stay on command by the moving handler, accept the examination without shyness or resentment, and, on command, return to the handler.

Orders for the exercise are "Forward", "Stand your dog" given while the handler is walking, and "Call your dog to heel."

The handler stands with his dog sitting in the heel position at a point indicated by the Judge. The Judge asks "Are you ready?" and orders "Forward." The handler commands or signals his dog to heel, and walks briskly at a normal pace. After the handler has proceeded about ten (10) feet the Judge orders "Stand your dog." The handler, without pausing, commands and/or signals the dog to stand, continues forward ten-twelve (10-12) feet and, halts and turns to face his dog. The dog must stand and stay in position.

The Judge approaches the dog from the front and examines the dog by going over it with his hands as in dog show judging except that in no circumstances shall the examination include the dog's mouth or testicles.

The Judge then orders "Call your dog to heel," whereupon the handler commands and/or signals the dog to return to the heel position. The dog immediately returns in a brisk manner to the proper heel position beside the handler.

SECTION 13: Moving Stand and Examination, Scoring

A score of zero (0) is required for the following: A dog displaying fear or resentment, moving from the place where it was left, sitting or lying down before being called, growling or snapping at any time during the exercise, repeated whining or barking, the dog's failure to heel, stand and stay, accept the Judge's examination, or return to the handler.

Substantial to minor deductions, depending on the circumstances, must be made for a dog that moves his feet repeatedly while remaining in place.

All appropriate penalties of the Novice Heel Free, Stand for Examination and Recall exercises shall apply. Minor or substantial penalties, depending on extent, shall be made for the handler that changes the manner of walking or hesitates or pauses while giving the command and/or signal to stand, or if the dog fails to return briskly or sit properly in the heel position.

SECTION 14 Directed Jumping

The principal features of this exercise are that the dog goes away from the handler in the direction indicated, stop when commanded, jump as directed and return as in the Recall.

The orders are "Send your dog", "Bar Jump," or "High Jump," and "Finish".

The jumps shall be placed midway in the ring at right angles to the sides of the ring and eighteen (18) to twenty (20) feet apart, the Bar Jump on one (1) side, the High Jump on the other. The judge must make certain that the jumps are set at the required height for each dog by following the procedure described in Retrieve over the High Jump.

The handler, from a position on the center line of the ring and about twenty (20) feet from the line of the jumps, shall stand with his dog sitting in the Heel position and on order from the judge shall command and/or signal his dog to go forward at a brisk trot or gallop to a point about twenty (20) feet beyond the jumps and in the approximate center. When the dog has reached this point the handler shall give a command to Sit; the dog must stop and sit with his attention on the handler but need not sit squarely.

The judge will designate which jump is to be taken first by the dog and shall order either "High" or "Bar" when designating either the High or Bar Jump. The handler shall command and/or signal the dog to return to him over the designated jump. While the dog is in midair the handler may turn so as to be facing the dog as it returns. The dog shall sit in front of the handler and, on order from the judge, finish as in the Novice Recall. The judge will say "Exercise Finished" after the dog has returned to the Heel position.

When the dog is again sitting in the Heel position the judge shall ask, "Are you ready?" before giving the order to send the dog for the second part of the exercise. The same procedure shall be followed for the second jump.

It is optional with the judge which jump is taken first, but both jumps must be taken to complete the exercise and the judge must not designate the jump until the dog is at the far end of the ring. The dog shall clear the jumps without touching them.

The height of the jumps shall be the same as required in the Open classes. The High Jump shall be the same as that used in the Open classes, and the Bar Jump shall consist of a bar, which may be made of any rigid material that is between two (2) and two and one-half (2 ½) inches square with the four (4) edges rounded sufficiently to remove any sharpness. The bar shall be painted a flat black and white in alternate sections of about three (3) inches each. The bar shall be supported by two (2) unconnected four (4) foot upright posts, which may be made of metal, wood or wood like material, about five (5) feet apart. The bar shall be adjustable for each two (2) inches of height from eight (8) inches to thirty-six (36) inches, and the jump shall be so constructed and positioned that the bar can be knocked off without disturbing the uprights. The bar will be weighted if made of material other than wood so it is not dislodged any easier than if it was made of wood.

SECTION 15: Directed Jumping, Scoring

A dog must receive a score of zero (0) for the following: anticipating the handler's command and/or signal to go out, not leaving the handler, not going out between the jumps, not stopping on command and remaining at least ten (10) feet beyond the jumps, receiving an additional command to stop or sit, anticipating the handler's command and/or signal to Jump, not jumping as directed, knocking the bar off the uprights, and climbing or using the top of the High Jump for aid in going over.

Substantial deductions shall be made for a dog that stops or sits before the handler's command to sit, for a dog that fails to sit, and for a dog that is obviously stopped by the ring barrier rather than the handler's command. Minor to substantial deductions shall be made, depending on degree, for a dog that turns on the go out before the command to sit. Depending on the extent of the deviation from a sit along the approximate center line of the ring and approximately 20 feet beyond the line of the jumps, minor to substantial deductions shall be made.

Substantial or minor deductions, depending on the extent, shall be made for slowness in going out or for touching the jumps, or for any display of hesitation or reluctance to jump.

CHAPTER 6: UDX and UDX-V TITLE

ASCA® will issue a Utility Dog Excellent (UDX) certificate for each registered dog or dog with a tracking number and permit the use of the letters "UDX" after the name of each dog that is certified as receiving at least ten (10) qualifying scores in both Open B and/or Open V and Utility B and/or Utility V at the same ASCA® sanctioned obedience trial. Dogs may not earn legs towards an ASCA® UDX title until the dog has earned the ASCA® title of Utility Dog (UD).

CHAPTER 7: OBEDIENCE TRIAL CHAMPION - OTCH

The following are the requirements for the OTCH program:

A total of one hundred (100) points must be earned. Points can only be accumulated after the dog has received a UD title from ASCA®. The dog must have one (1) score of 193 or higher from Open B and/or Open V, one (1) score of 193 or higher from Utility B and/or Utility V, and one (1) score of 195 or higher from either Open B and/or Open V or Utility B and or Utility V.

Only scores from Open B and/or Open V and Utility B and/or Utility V will qualify a dog for the OTCH title.

OTCH certificates will be issued without numbers that define rank or placement. Any dog that has met the qualification requirements for the OTCH will receive a certificate for the title and will be allowed to use the prefix "OTCH" before the name of qualified dog. The Business Office will track the score accrual for each eligible dog. Handlers are encouraged to keep their own records as well but will not be required to submit those records unless verification is required.

Point Schedule for the OTCH program:

Obedience score earned:	Points earned:
200	15
199 ½	14 ½
199	14
198 ½	13 ½
198	13
197 ½	12 ½
197	12
196 ½	11 ½
196	11
195 ½	10 ½
195	10
194 ½	9 ½
194	9
193 ½	8 ½
193	8
192 ½	7 ½
192	7
191 ½	6 ½
191	6
190 ½	5 ½
190	5
189 ½	4 ½
189	4
188 ½	3 ½
188	3
187 ½	2 ½
187	2
186 ½	1 ½
186	1
185 ½	½
185	0

Scores of 185 or lower will not earn points towards an OTCH title.

CHAPTER 8: NON-REGULAR CLASSES

SECTION 1: Ribbons and Prizes

A Qualifying score shall not be required for the awarding of ribbons and prizes in any Non-regular class.

SECTION 2: Sub-Novice Class

The Sub-Novice Class shall be for dogs not less than six (6) months of age that have not been certified by a judge to have received a Qualifying score towards a C.D. title prior to the closing of entries. Dogs in this class may be handled by the owner or any other person. A person may handle more than one dog in this class, but each dog must have a separate handler for the Long Sit and Long Down exercise when judged in the same group. Dogs entered in Sub-Novice may not be entered in any other regular class held at the same show and on the same day.

Performance and judging shall be as in the Novice class with the exception of the Heel Free exercise.

The exercises and maximum scores in the Sub-Novice class are:

1. Heel on Leash and Figure Eight	40
2. Stand for Examination on Leash	30
3. Recall on Leash	30
4. Long Sit on Leash	30
5. Long Down on Leash	30
Maximum Total Score	160

Heel on Leash and Figure Eight

The same as in the Novice classes. The scoring for the exercise is the same as in the Novice classes.

Stand for Examination on Leash

The same as in the Novice classes but the dog is on leash, and the handler is at the end of a six (6) foot leash. The scoring of the exercises is the same as in the Novice class.

Recall on Leash

The same as in the Novice classes but the dog is on leash. The scoring for the exercise is the same as in the Novice class.

Group Exercises

Shall be the same as the Novice classes with the exception that the dogs are on leash. The scoring for the exercises is the same as in the Novice class.

SECTION 3: Graduate Novice Class

The Graduate Novice class shall be for ASCA® C.D. dogs that not been certified by a judge to have received a Qualifying score toward a C.D.X. title prior to the closing of entries. Dogs in this class may be handled by the owner or any other person. A person may handle more than one (1) dog in this class, but each dog must have a separate handler for the “Long Sit” and “Long Down” exercises when judged in the same group.

Obedience Group Exercises shall be performed either first, before the individual exercises, or in groups of up to 12, as the individual exercises are completed, at the discretion of the host club, and so stated in the show/trial flyer or premium list.

Performances and judging shall be as in the Regular classes, except that the Figure 8 is omitted from the Heel on Leash exercise.

The exercises and maximum scores in the Graduate Novice class are:

1. Heel on Leash (no Figure 8)	30
2. Stand for Examination	30
3. Open Heel Free (includes Figure 8)	40
4. Open Drop on Recall	40
5. Open Long Sit	30
6. Open Long Down	30
Maximum Total Score	200

SECTION 4: Brace Class

The Brace class shall be for braces of dogs of the same breed that are eligible under these Rules and Regulations and capable of performing the Novice exercises. The dogs need not be owned by the same person, but must be handled by one (1) handler. Dogs may be shown unattached or coupled (the coupling device to be not less than six (6) inches over-all length); whichever method is used must be continued throughout all exercises. A separate Official Entry Form must be completed in full for each dog entered.

Exercises, performances and judging shall be as in the Novice class. The brace should work in unison at all times. Either or both dogs in a brace may be entered in another class or classes at the same trial.

SECTION 5: Seniors Class

The Seniors class shall be for dogs that have an obedience title and are seven (7) or more years old on the date of the trial. The exercises shall be performed and judged as in the Novice class. Dogs entered in the Seniors class may be entered in any regular class that they qualify to enter.

SECTION 6: Wild Card Novice, Open, and Utility

These classes are for any dog that is capable of performing the Obedience exercises and that is eligible under the Obedience Regulations to compete in ASCA® events. Owners may enter more than one dog and dogs in these classes may be handled by the owners or any other person and may be entered in other classes at the trial.

The exercises (Novice, Open, and Utility):

These exercises will be performed and judged according to ASCA® Regulations as in the regular class (Novice, Open, and Utility). These exercises will be performed in the same orders at the A class, "except that verbal praise and encouragement during the exercises will not be discouraged or penalized". However, any additional commands to the dog will be penalized. Upon check-in at ringside, the handler will specify to the table steward that exercise in which the handler selects not to perform, which will be indicated on the entrant's score sheet (they do not have to drop an exercise). This choice, when presented to the judge, will excuse them from performing the specified exercise while receiving a perfect score for that exercise.

The exercises, maximum scores, and order of judging in the Wild Card Classes are as described in the ASCA® Obedience Regulations.

SECTION 7: Versatility Class

The Versatility class shall be for dogs that are eligible under these Rules and Regulations and capable of performing the Utility exercises. The following exercises will be performed, and there will be no group exercises. The exercises will be performed and judged as in the Regular classes.

Heel Free & F8	40
Recall	30
Retrieve on Flat	20
Broad Jump	20
Scent Discrimination #1	25
Scent Discrimination #2	25
Directed Jumping	40

200

These exercises are to be done in any order determined by the judge and the judge's decision made available to handlers one-half hour before judging begins. Although, the two scent discrimination exercises are scored separately, they are to be done sequentially. In a given round, all teams will do these exercises in the same order.

SECTION 8: Team Class

The team class shall be for teams of any four (4) dogs that are eligible under these Regulations. Five (5) dogs may be entered, one (1) to be considered an alternate for which no entry fee shall be required. However, the same four (4) dogs must perform all exercises. Dogs need not be owner-handled, need not be entered in another class at the same trial, and need not have obedience titles. A separate Official Entry Form must be completed in full for each dog entered.

There shall be two (2) judges, one (1) of whom will call commands while the other scores the teams' performances. The teams will be judged one at a time, except for the Long Sit and Long Down exercise which shall be done with no more than four (4) teams (sixteen (16) dogs) in the ring.

The dogs on a team will perform the exercise simultaneously and will be judged as specified for the Novice class, except that a Drop on Recall will be used in place of the Recall exercise. In all exercises except the Drop on Recall, the teams have the option of executing the judge's commands on the team captain's repeat of the command.

In the Figure Eight portion of the Heel on Leash exercise, five (5) stewards will be used. The stewards shall stand eight (8) feet apart in a straight line. One handler, with dog sitting in Heel position, shall stand about equidistant from each of two (2) stewards, all members of the team facing in the same direction. On orders from the judge, the team shall perform the Figure Eight, each handler starting around the steward on his left and circling only the two (2) stewards between whom he had been standing.

In the Drop on Recall exercise, the handlers will leave their dogs simultaneously on command of the judge. The dogs shall be called or signaled in, one at a time, on a separate command from the judge to each handler. The handler shall, without any additional command from the judge, command or signal his dog to Drop at a spot midway between the line of dogs and the handlers. Each dog shall remain in the Down position until all four (4) have been called and dropped, whereupon the judge shall give the command to call the dogs, which shall be called or signaled simultaneously. The Finish shall be done in unison on command from the judge.

Obedience Group Exercises shall be performed either first, before the individual exercises, or in groups of more than four (4) teams, as the individual exercises are completed, at the discretion of the host club, and so stated in the show/trial flyer or premium list.

SECTION 9: Team Class, Scoring

Scoring of the Team class shall be based on the performance of the dogs and handlers' individually plus team precision and coordination. Each dog and handler will be scored against the customary maximum, for a team total of eight hundred (800) maximum available points. Individual dog's score need not be recorded.

The exercises and maximum scores are:

1. Heel on Leash	160
2. Stand for Examination	120
3. Heel Free	160
4. Drop on Recall	120
5. Long Sit	120
6. Long Down	120
Maximum Total Score	800

CHAPTER 9: HONORARY TITLES

The title of Honor Dog will be accorded to any ASCA® registered Australian Shepherd who receives a score of 195 or better in the first three (3) attempts toward any obedience title. Each team will be acknowledged for their achievement with their name and a picture in the *Aussie Times*.

CHAPTER 10: OBEDIENCE FINALS

Purpose of the Obedience Finals

The ASCA® Obedience Finals competitions are designed to showcase ASCA®'s finest obedience dogs to the fancy by those breeders, owners and handlers who take pride in their contribution to the Australian Shepherd breed.

Purpose and Audience for this Document

The purpose of this document is to provide a reference for the Obedience Final Competitor and the Obedience Show Finals Chair as well as anyone interested in an overview of the ASCA® Obedience Finals. We assume that the competitor is aware of and understands the ASCA® Obedience rules.

Supporting Obedience Documentation

The following rule books and forms are located on the ASCA® web site in the following locations:

Obedience Rules and Regulations	http://www.ASCA®.org/Portals/0/obediencerules.pdf
National Specialty Hosting Rules	http://www.ASCA®.org/Portals/0/NatSpecHostRules.pdf
Obedience Finals Entry Form	http://www.ASCA®.org/Portals/0/obedfef.pdf

Section 1: Administrative Requirements

This section describes the basic requirement regarding the qualifications of the Obedience Show Finals Chair, Judges, Stewards and general site requirements.

Obedience Show Finals Chair Requirements

Obedience Show Finals Chair will be familiar with all aspects of hosting an obedience trial.

Obedience Show Finals Chair will work with the ASCA® Obedience Committee Chair, either by phone or email, to ensure all procedures and requirements are met.

The Obedience Show Finals Chair and the ASCA® Obedience Committee Chair (if available) will meet with the Finals judges prior to the event to review all rules and scoring procedures used during the Finals competition.

The Obedience Show Finals Chair will prepare the judges' books in the correct run order. It is recommended that the judges' books be completed once the exhibitor run order is finalized.

The Obedience Show Finals Chair will ensure the ring stewards are ringside one (1) hour before the scheduled start time and will ensure both rings are set up and ready at least one (1) hour before the scheduled start time.

Judge Requirements

The Obedience Show Finals Chair will hire judges who are knowledgeable of all ASCA® Obedience rules and procedures.

Steward Requirements

The Obedience Show Finals Chair will find experienced obedience stewards – 3 per ring. It is acceptable to have one inexperienced steward if the other two are experienced.

Site Requirements

Warm-up Area

The Host Club will make every effort to provide an area or spare ring for teams to use for warm-up.

Crating Area

The Host Club will provide crating space for teams close to the rings. Ideally this space will be available to them the day before the Finals. If crating space is not available the day before, it will be available at least one (1) hour before the start of the Finals competition.

Section 2: Conducting the Obedience Finals

The Host Club will conduct the Obedience Finals in conjunction with the National Specialty each year. The ASCA® Obedience Committee strongly suggests the Host Club not allow other obedience competitions on the same day as the Obedience Finals. The Obedience Finals should be the exhibitors' top priority on that day and they are to be ringside when their class is run in order not to hold up the other exhibitors.

There are two judges to judge each Finalist once in each ring, except for Super Dog, which is judged twice in each ring by each judge. The Obedience Show Finals Chair will plan a schedule to minimize any conflicts between runs. The points lost by each Finalist will be totaled and the Finalist with the least number of points lost is the winner of their class. Placements are also awarded to second through tenth place and will be denoted as such on the rosettes.

Classes

The Finals will be held over the course of one day. The Finals consists of two (2) runs of the Novice, Open, and Utility divisions and four (4) runs of the Super Dog division.

Selecting Open and Utility Classes

The Obedience Show Finals Chair chooses the Open and Utility runs from the B class mixed orders and posts the class order ringside at least one (1) hour before the class begins. The Obedience Show Finals Chair verifies that a different run order be used for each ring in Open and Utility. The run order for Open and Utility classes are available in the ASCA® Obedience Rules and Regulations, Chapter 4, Open and Chapter 5, Utility.

Selecting Super Dog Classes

The Super Dog division consists of one (1) run of Utility, one (1) run of Open, and two (2) runs of the Super Dog mixed orders. The Obedience Show Finals Chair shall choose from one of the five (5) B class orders from Open B and Utility B and two (2) of the four (4) Super Dog mixed orders listed in the section marked Super Dog Orders and Exercise Point Values. The Obedience Show Finals Chair will ensure two different mixed orders are used for each ring.

Super Dog Orders and Exercise Point Values

Run One

Heel Free/Figure 8	40 points
Directed Retrieve	30 points
Retrieve Over High Jump	30 points
Directed Jumping (20 points per jump)	40 points
Drop on Recall	30 points
Moving Stand	30 points
	200 points

Run Two

Signal Exercise	40 points
Broad Jump	30 points
Moving Stand	30 points
Retrieve on the Flat	30 points
Scent Articles (20 points per article)	40 points
Retrieve Over High Jump	30 points
	200 points

Run Three

Retrieve on the Flat	30 points
Directed Retrieve	30 points
Signal Exercise	40 points
Retrieve Over High Jump	30 points
Drop on Recall	30 points
Directed Jumping (20 points per jump)	40 points
	200 points

Run Four

Broad Jump	30 points
Scent Articles (20 points per article)	40 points
Figure 8/Heel Free	40 points
Directed Retrieve	30 points
Moving Stand	30 points
Retrieve on the Flat	30 points
	200 points

Stays

- Each judge will judge their group stays after their individual exercises. No classes are combined. For example, the Open Group exercises will not be combined with the Super Dog Open group exercises.
- Open stays and Super Dog Open stays will be held as per directed in the mixed order sequence being used for that class. The number of dogs in each group will be no greater than ten (10).
-

Running Order of the Entrants

The Obedience Show Finals Chair determines the exhibitor run order by drawing numbers. Dogs will not run in their order of ranking. The Obedience show Finals Chair will post the exhibitor run order ringside at least one (1) hour before the start of the Finals. Each judge will use the same exhibitor running order.

SECTION 3: Eligibility of Entrants

- Eligible dogs are ASCA® registered Australian Shepherds, including LEP, that have received three (3) qualifying scores in each division the dog will be competing in at the Finals.
- Only full ASCA® members may accumulate points toward the Obedience Finals.

- Eligible obedience classes include:
 - Novice
 - Novice dogs can earn their Open title AFTER May 31st and still be eligible for the Novice division for which they qualified during the year in question.
 - If the Novice dog earns its Open title on or before May 31st, the Novice scores will be void and the Open scores will be used to calculate eligibility to qualify for the Finals in the Open division.
 - Open Utility
 - Dogs must have their UD titles to compete in the Super Dog category.
 - If a dog is ranked in Super Dog that dog may only show in the Super Dog category regardless if the dog is ranked in either Open and/or Utility. This will allow more dogs to compete in the Finals.
 - Super Dog
 - Dogs must have their UD titles to compete in the Super Dog category.
 - If a dog is ranked in Super Dog that dog may only show in the Super Dog category regardless if the dog is ranked in either Open and/or Utility. This will allow more dogs to compete in the Finals.
- Eligibility points accumulate during the twelve month period from June 1st of the previous year to May 31st of the year the Finals are held.
- The ASCA® Business Office keeps track of the results of the ASCA® obedience trials. The ASCA® Business Office determines the ranking by using the three (3) highest scores obtained during the competition year.
- Eligible dogs for the Obedience Finals are the top ten (10) obedience dogs, ranked in the Aussie Times from eligible obedience categories at the end of Finals year.
- **Breaking Ties:** In the event that there are more than ten (10) dogs ranked in the top ten (10) for any category, ties will be broken using the following methods in the order listed as necessary until all tie(s) are broken:
 - Average the top two (2) scores from the Finals year
 - Highest individual score
 - Draw by Business Office

A. Repeat this process for all ties until the maximum allowed number of dogs is reached. The ASCA® Business Office will contact the next twenty (20) dogs listed (including dogs that have been in ties) as alternates. If there is a tie between alternates, the ASCA® Business office will use the same criteria to break ties for Finalists.
- The ASCA® Business Office will send the Host Club the Obedience Finals entry form for each dog whose owner has stated their intent to show by the close of the pre-entries for the Nationals.

SECTION 4: Verification of Eligibility

1. The Business Office will notify all eligible contestants and alternates of their standing by first class mail if they have qualified for the Finals on or about July 1 of the year the competition will be held. The Business Office will notify foreign qualifiers using the best method to insure they receive their notification.
2. The completed entry form must be sent to the Business Office and postmarked no later than July 15th of the competition year.
3. All eligible contestants and alternates wishing to compete must complete an official entry form and send it to the Business Office.
 - B. Eligible Finals entrants will send entry fees, in US funds, with their official entry form.
 - C. Alternates will only submit an official entry form to save their place should one become available. If an alternate becomes eligible, the Business Office will notify the alternate who will submit payment to the Business Office at that time.
 - D. If an eligible contestant fails to send in an entry form by the July 15th deadline the next alternate who has sent their official entry form signifying their intent to compete will be notified of the vacancy by the Business Office.
4. If an exhibitor must cancel they should contact the Business Office immediately. If the Business Office receives the cancellation before the Nationals catalog goes to print, the Business Office will contact the next eligible alternate who sent in their official entry form and offer them the vacancy. If an entered contestant must cancel their entry after the Nationals catalog has gone to print, their vacancy will remain unfilled. Entry fee will not be refunded for cancellations.
5. The Business Office will send all confirmed entries for the Obedience Finals to the Host Club by the close of entries for that year's Nationals.

SECTION 5: Entry Fees

- Host Club shall submit a proposed budget to the Board of Directors and the Obedience Committee at least six months prior to the Finals.
- The Board of Directors will set the entry fees for the Obedience Finals (see the Schedule of Fees) based on recommendations from the Obedience Committee.
- There will be no refunds.

SECTION 6: Awards and Ribbons

- All divisions will have placements of first (1st) through tenth (10th) place.
- Each placement will receive a rosette with the placement of the contestant denoted.
- All placements will be awarded regardless of any non-qualifying scores.
- The winner of each class will receive a special award
- All rosettes will show dog's registered name, obedience titles earned and the date and location of the Obedience Finals. Multicolored, decorative rosettes are allowed and encouraged, with first through fourth placements being represented by a color streamer, first place is blue, second place is red, third place is yellow, and fourth place is white. The remaining rosettes will be the same color, theme, and design and will have the placements fifth through tenth on them.
- Separate streamers can be printed so the dog's name can be attached once placements have been determined.
- The Host Club is responsible for procuring awards and rosettes for the Obedience Finals competition.
- Presentation of rosettes and awards should highlight the event and will be presented ringside at the conclusion of the event to ensure all participants and spectators can join in the excitement of the results.
- There will be NO overall high scoring dog, only high scoring dog in each division.
- Rosettes and prizes should be made available within one (1) hour after completion of the Finals event.
- The Obedience Show Finals Chair will ensure the official photographer be available ringside at the time of the award presentation to take the win photos while the judges are still available. If the photographer's set-up is nearby, photos could be taken there also. In either location, the Obedience Finals photos will be the photographer's first priority.
- The photographer will provide a backdrop for the photos and will have signboards available to denote all divisions, including "Novice", "Open", "Utility" and 'Super Dog'.
- The location chosen for photographs must be large enough to include each division, as a group, if the contestants wish a group photograph.
- The Host Club will allow exhibitors to take their rosettes and prizes upon completion of the event if they will not be able to attend the welcome banquet or awards ceremony. The Host Club will keep track of who can and cannot attend the ceremony and will read the names and placements of those who could not attend. When presenting the rosettes and awards for all contestants, the Host Club will read the name of the handler and the dog's registered name.

SECTION 7: Judging

- The Obedience Finals requires two (2) judges. The Obedience Finals entrants will show under each judge. The Obedience Show Finals Chair, or designated aid, will add the points lost from each judge to determine the Finals placements.
- Each judge shall judge one (1) run of Novice, one (1) run of Open, one (1) run of Utility and one (1) run of Super Dog mixed orders. In the Super Dog division, the Obedience Show Finals Chair will use a coin toss to determine which judge will judge Super Dog Open and which will judge Super Dog Utility.
- Each judge will stay with his or her assigned ring. The dog and handler teams will change rings for each run.
- The Obedience Show Finals Chair determines the running order of the classes and rings for the day of competition.
- The Obedience Show Finals Chair determines which mixed orders are used for all classes using mixed orders (Open, Utility, Super Dog Open, Super Dog Utility, and Super Dog mixed orders).
- Each dog shall have two (2) runs, one under each judge with the exception of Super Dog. Super Dog competition will consist of one (1) run of Utility B, one (1) run of Open B, and two (2) runs of the Super Dog mixed orders.
- The Obedience Show Finals Chair will ensure each ring uses a different mixed order from the Open B, Utility B and Super Dog mixed orders.
- The points lost will be added for each dog for the two (2) runs, or four (4) runs in the case of Super Dog, to determine the placements.
- All scores will be used. If an exercise receives an NQ, points will be deducted equal to the full value of the exercise. Scores from all remaining exercises will be used.

- Super Dog placements are determined by totaling the points lost from the one (1) Super Dog Open score, the one (1) Super Dog Utility score, and the two (2) scores of Super Dog mixed orders.
- If there are tied scores, placements are determined by a run-off using the Novice heel free exercise. Runoffs will be done after all dogs have competed; this includes any bitches in season.
- There will be a Finals winner from each of the following divisions: Novice, Open, Utility and Super Dog. The winner will carry the title of (year won) ASCA® Champion (Novice, Open or Utility) Obedience Dog. The winner of the Super Dog category will carry the title of (year won) ASCA® Supreme Champion Obedience Dog.
- The ASCA® Obedience Rules and Regulations will be the standard by which these classes are judged with the following exceptions:
 - A. Judges will score each directed jump in Utility separately. Each jump, high and bar, is scored 20 points.
 - B. The Super Dog order runs of the Super Dog competition.
 - C. Group exercises are eliminated from the Super Dog division except the Super Dog Open class.
 - D. Bitches in season are allowed to compete but will run last.
 - E. Official placements will include first through tenth. All teams will receive a numerical placement.
- The Obedience Show Finals Chair determines run-off judge by a coin toss and that judge's ring shall be used for all run-offs.
- Judges for the Obedience Finals will not judge any other obedience trials held in conjunction with the National Specialty or Pre-show trials.

SECTION 8: Ring Requirements

Ring Size and Matting

- The rings sizes are 40' X 50' as per the obedience regulations found in Chapter 1, Section 26.
- When the Finals are held indoors and space is a consideration, the ring size can be reduced to 35' X 50'.
- If the ring does not have traction or is slippery or otherwise considered a hazard to handlers or dogs, the ring must be fully matted. The judges will determine if mats are necessary and will notify the Obedience Show Finals Chair that corrective action must be taken.
- If ring mats are used, the entire ring must be matted.
- The rings will be clean and ready to use well in advance of the start of the event.
- Two full sets of regulation jumps are required.
- If the Finals are held outside on grass, and the grass is wet, the Host Club will supply sand to use around any jumps to ensure proper, safe footing. The judge will decide if the sand should be used.

Stewards

- Each ring should have 3 stewards, a gate steward, a table steward and a ring steward.
- The Host Club must make every effort to find experienced stewards to work during the Finals to ensure a smooth flowing event.
- The gate steward will make sure each team is ready to enter the ring when the judge is ready.
- The table steward is responsible for the paper work
- The ring and gate stewards will set the jumps, act as posts for the Figure Eight exercise, hold the clipboard for the judge during the moving stand, set out scent articles and gloves for the retrieval exercises.
- The stewards will take the dog's leash from the handler in the ring and return the leash back to the handler in the ring.

SECTION 9: Miscellaneous

Posting of the Results

- Two people not entered in the finals will check and verify the addition of the points lost for each exhibitor before the results are posted.
- The Obedience Show Finals Chair will post the total points lost as soon as they are available on a board of some kind and make it available for viewing in an area easily seen by exhibitors.

Bitches in Season

- Bitches in season will compete last after all other judging is finished with the exception of run-offs each day, including sits and downs which shall be held separately.
- A bitch in season could be competing back to back in both rings.
- Bitches in season must be crated, not placed in an X-pen, away from the obedience rings before and during the competition except when competing.

ASCA® DOG BITE POLICY

- 1) A judge shall disqualify any dog that attempts to attack any person in the ring/trial arena, as determined by the judge. The judge shall excuse a dog that attacks another dog or appears to the judge to be threatening other dogs in the ring/trial arena. The judge shall mark the dog "disqualified" or "excused" in accordance with this Rule, shall state the reason in the Judge's Book or score sheet, and shall give the Show/Trial Secretary a brief report of the dog's actions using the Disqualified or Excused Dog form, which shall be submitted to ASCA® with the report of the show/trial. The entry form for any Disqualified or Excused dogs must be submitted with the Show/Trial Results. Any dog which has been excused on two (2) occasions pursuant to this Rule shall be disqualified to compete in any subsequent ASCA® event unless and until it is reinstated by the Board of Directors. Notice of disqualification will be sent to the owner by the Business Office after review by the Board of Directors.
- 2) A dog that, in the opinion of the judge, menaces, threatens or exhibits any sign that it may not be safely approached or examined by the judge in the normal manner may be excused from the Show/Trial arena and be subject to this Rule.
- 3) The Affiliate or its Show/Trial Committee must perform an investigation of any incident where a dog has bitten either a person or another dog, whether it occurred in the ring or merely upon the Show/Trial grounds. The report, entry forms, and findings shall be forwarded to the Executive Secretary by the Business Office. If the dog was not disqualified, the report shall explain why not.
- 4) The reports of the Affiliate and judge shall be forwarded by the Executive Secretary to the Board of Directors and to ASCA®'s General Counsel.
- 5) ASCA®'s Counsel shall review the reports and make recommendations to the Board.
- 6) If the dog was excused, the Board of Directors will take such action, if any, as it deems appropriate with respect to allowing the dog to continue to compete.
- 7) If the dog was disqualified, the dog shall be ineligible to participate in any ASCA® event in any discipline, unless and until such dog is approved for further competition and reinstated by the Board of Directors.

GLOSSARY OF TERMS

brisk, briskly - keenly alive, alert, energetic

command - verbal order from the handler to dog

crooked - a dog that is not straight in line with the direction the handler is facing

crowding - a dog so close to handler as to interfere with handler's freedom of motion

directly - immediately without deviation or hesitation

drop completely - a down position that would be acceptable for a long down exercise

gently - with kindness, without harshness or roughness

guiding gently with collar - control of the dog, by holding any part of the collar, with minimal pressure on the dog's neck

lame - irregularity or impairment of the function of locomotion, irrespective of the cause or how slight or severe

minor penalty - 2 1/2 points or less

mouthing - when a dog chews or rolls the dumbbell in its mouth

natural - not artificial, free of affectation, and customarily expected in the home or public places

order - direction from Judge to handler either verbal or nonverbal

prompt response - without hesitation, immediate, quick

resentment - resistance, unwillingness

signal - nonverbal direction from the handler to dog, as described in Chapter 2, section 20

smartly - quickly, vigorously

substantial penalty - 3 points or more

turn in place - turning in the area that is occupied by the handler before the turn had started

withers - highest point of the dog's shoulder

ADDENDUMS

JUDGES GUIDELINES (New Location in Rulebook)

SUGGESTED CONSTRUCTION OF BAR JUMP

SUGGESTED CONSTRUCTION OF HIGH JUMP.

SUGGESTED CONSTRUCTION OF BROAD JUMP

ASCA® DISPUTE RULES

ASCA® DISPUTE PROCESS

COMPLAINT FORM

PLEASE ALSO REFER TO ASCA® SHOW RULES AND REGULATIONS

OBEDIENCE JUDGE'S GUIDELINES

ASCA® OBEDIENCE COMMITTEE

This is a standing Committee. If at any time you have a question or a suggestion, you are encouraged to contact the Chairperson or a Member of this Committee. The Chair and the members are listed at the ASCA® website (<http://www.ASCA®.org>).

EDUCATIONAL RESOURCES

You are encouraged to join these two chat lists: ASCA® Obedience and ASCA® Obedience Judges. Both lists are available through Yahoo Groups or you may contact the Obedience Chair for directions on how to get on these lists. Much information, questions, and ongoing discussions on these two lists keep judges current on motions, new rules and regulations, and questions or comments anyone might have regarding the discipline of obedience whether as an exhibitor or as a judge.

OBEDIENCE RULES & REGULATIONS

You should have read in its entirety the ASCA® Obedience Rules and Regulations. The most current rulebook may be downloaded from the ASCA® website (<http://www.ASCA®.org>), or the semi-annually updated hardcopy may be ordered from the ASCA® Business Office (979-778-1082). The hardcopy Rulebook is updated twice a year (January and June). It is your responsibility to always have in hand the most current edition for referral when judging for ASCA®. Clubs should have a current rulebook at the judge's table but in case they do not, it is recommended that you bring your own copy with you to your judging assignments. Reviewing the rulebook the night before an assignment is always a wise decision.

ACCEPTING AN ASSIGNMENT

Clubs should furnish you with a judging contract. If they don't, you might want to design your own. Items to be addressed are: travel, dress code (some clubs have themes during the year), meals, housing, airport parking, rental car, classes to be judged, and judging fee. Although you'd like to get out of packing the items the club said it would have on hand, it's still prudent to simply have the items you'll need packed and ready to go every time you leave for a judging assignment just in case an item was inadvertently omitted by the club. Keep these together in a packed bag, and remember to check this bag upon your return from any assignment to be certain nothing is missing so you're ready for the next assignment. The items to pack in this bag would include but not be limited to: stop watch, pens (more than one), calculator, rulebook, tape, golf tees or chalk for marking start areas or retrieve areas in the ring, measuring tape, Kleenex, unscented sanitizer, slip lead (more than one if you have room in your bag) and a clipboard. Another useful item that it's nice to request the club have on hand for you since it is obviously hard to pack is a blackboard or poster upon which the run-orders can be posted.

DRESS CODE

You should look professional and appropriately dressed for any assignment (i.e., club themes & weather factored in). Jewelry, perfume or cologne should be kept at a minimum. You should avoid apparel that might make distracting noises or that have fringe. Choose shoes that are quiet and not distracting when walking, and definitely choose ones comfortable as judging can be hard on the feet and legs, especially if judging on cement floors. If utilizing a hat, choose one that won't blow off or flop.

ARRIVAL

Plan to arrive at least one hour prior to your judging assignment. Immediately upon arrival, check in with your show secretary. Be sure you know where the restroom is and that the show secretary has the paperwork in order for the trial. Normally the show secretary will still be taking entries upon your arrival, so try not to steal too much of the show secretary's time during registration.

If the club set out a hand sanitizer, double-check to be certain it is not scented.

The order of sits/downs and individual exercises must be done as listed in the flyer. Some clubs do sit/downs before individual exercises and some do sits/downs following individual exercises. Be sure you have double-checked the flyer to know what class order you will be following and how sits/downs are to be handled.

Choose the order of exercises for your Open and Utility classes and post this order no later than 30 minutes before the trial is scheduled to begin. Post it where it can be readily seen by the exhibitors.

Then perform the following checklist:

- ___ Double-check the obedience equipment to be certain all meet regulations.
- ___ Walk your obedience ring to be certain it is clean, hopefully level, and observe where the sun is rising or setting. You'll not want to jump dogs into the sun, or have handlers giving signals to dogs blinded by the sun.
- ___ If there is wind, be sure that the club has taken measures to stake any baby gates.
- ___ Walk your novice, open and utility pattern to be sure the patterns are smooth, practical and functional. You should avoid running or jumping dogs towards the ring entrance or walking them into the baby gates or jumps.
- ___ Decide where you'll have dogs line up for the sits/downs and be sure you know where the out-of-sights will be held.
- ___ Mark your start for the heel work.
- ___ Choose your start line for heel work. When marking lines or distances for the jumps or tossing of the dumbbell, you may utilize chalk, golf tees, or stanchions.
- ___ Be sure the show club has marked off the applicable area around your ring where no set ups, grooming, walking or standing spectators may appear.
- ___ FRATERNIZING: Visiting with your friends is great fun, but it's best to ask your friends to visit with you following the trial. Try to be as professional and courteous to the club and exhibitors as possible, leaving no room for speculation or gossip with regard to favoritism in scoring.

PHONES

Be sure your phone is turned off when the trial start time arrives. Utilizing a phone for telling time is fine, but vibrating phones can be a distraction. Please announce to the audience that all phones should be on vibrate. And then double-check to be certain your table stewards have turned off their phones (theirs should not be on vibrate).

STEWARDS AND PAPERWORK

Upon arrival, find out who will be your stewards. Be sure your stewards are of a reasonable age, such that the dogs perceive them as young adults or adults. Try to use the same two stewards for each competing group (same two for novice, same two for open, same two for utility) so that all competitors are subject to the same stewards in their competitive class. Let your stewards know what you expect of them such as 1) no running in the ring, 2) no loud voices in the ring, 3) no eye contact with the dogs when standing for the figure 8, 4) no food in their pockets, 5) no distracting clothes, jewelry or shoes, 6) arms crossed during the figure 8 and eyes straight ahead, 6) which steward is responsible for the dumbbell or articles or gloves or leash and how these should be handled, and 7) how you wish your sits/downs to be handled.

Often stewards are handling the dumbbell or articles. If stewards have strong smelling lotion or bug spray or sanitizer on their hands and then handle the articles or the dumbbell, these smells can negate a dog from wanting to pick these items up, or flood a scent pile with their scent causing a dog to flunk. Food smells on the steward's hands are also distracting so remind stewards to wash their hands after eating. Be sure your stewards know to pick up the dumbbell by the end and how you wish the articles to be held when they are placed into the scent pile.

PAPERWORK

Double-check your paperwork to be certain all the required forms are there. Instruct your steward or show secretary as to what their part is in your paperwork. You may add your scores or they may do it for you, all pursuant to your preference. Remember you will be writing total points off, not points earned for each exercise. No corrections to any paperwork may be made without your initial and approval. Upon leaving, double-check all paperwork to be certain everything was filled out correctly, time was listed, date is correct and signature placed where applicable and that you have your copy for your records.

Remember exhibitors may not see their score sheet. Once you've scored a team, place the score sheet face down or cover it. Be sure these are weighted down if the trial is held outside. There is a recap score sheet available in the show packet your stewards may provide to the exhibitor for feedback purposes.

HANDLING CONFLICTS

If there are any conflicts, your stewards or competitors should advise you as promptly as is feasible to do. Be flexible but reasonable. Many clubs will host trials or shows with multiple events ongoing, and it will be your responsibility to work with the clubs to see that the competitive experience for all exhibitors is equitable for all involved. Flyers often list what discipline will be given preference time-wise if there are conflicts, so double-check so you are in-the-know.

HEELING EXERCISE

Patterns in novice should include at a minimum: normal, fast, slow, halt, about turn, left turn and right turn. You may use the left turn, right turn, about turn and halt more than one time if desired. Walk your pattern several times to be certain you have it memorized and that the pattern is fair to the team exhibiting insofar as terrain, ring entrance, and outside distractions. Be sure the level of difficulty is applicable to the class level.

FIGURE 8

Placing your figure 8 where it falls at the end of your heeling exercise will make your ring flow smoother. Mark the spots where your stewards will stand. Be certain there is enough room for both large and small dogs to comfortably complete the figure 8. You should be able to view both the inside and outside work done by the dog in this exercise. Any movement you make to be certain you can see both should not be distracting to the exhibiting team.

PRIOR TO NOVICE, OPEN AND UTILITY

Be sure the exhibitor's number and breed of dog correspond to your paperwork. Double-check to be certain the dog's collar is legal. There are some cloth collars with prongs hidden. Do not grab a dog's collar to check, but you may ask the handler to show you the collar.

Always double-check jump heights prior to calling the next dog into the ring. When the exhibitor enters the ring, it's courteous to ask the exhibitor if the jump heights look correct.

Be certain the dumbbell is legal and determine which steward is in charge of bringing it to you.

Double-check that articles are legal and what process will be used to select the articles to be scented, i.e., you or the steward using tongs or exhibitor's choice.

JUMPS

If you desire, you may measure the jumps to be certain they are regulation in height.

Broad Jump: When situating the broad jump, double-check to be certain it is not set in a high distraction area, such as people walking by on an ongoing basis. Be sure that you have the proper measuring equipment on hand to ascertain if the jump is set for the correct distance. Be sure your stewards understand what board to remove or add for the broad jump and how far from the baby gates these boards should be situated. Instruct your stewards how you want the boards lined up (such as flush right).

Try to set up all starting positions so that the handler can move easily from one exercise to another with a minimum amount of walking. This will expedite your judging time also.

RETRIEVES

Your responsibility is to mentally or physically note how far a dumbbell must be tossed for it to be a legal distance for the retrieve. Be courteous when allowing an exhibitor to re-throw as most exhibitors are very nervous when this occurs. Do not send dogs to retrieve dumbbells tossed under a ring gate.

GLOVES

Double-check gloves to be certain they are legal. Ask the steward to place the gloves palm up, fingers extended towards the baby gate. Be sure your steward knows where to place the gloves and where to stand once the gloves have been placed.

ARTICLES

Go over with your steward how far apart to place the articles, whether you wish each article to be touched and how much, and where to stand once they have finished placing all articles.

LEASHES

Upon completion of the obedience class, the leash should be readily available to the exhibitor. Stewards should walk towards the exhibitor and hand them their leash. At no time should a steward run in with a lead. At no time should an exhibitor leave without putting a leash on their dog prior to exiting the ring.

YOUR RING

It is your responsibility to keep yourself, your stewards and the handlers and dogs safe in the ring. Periodically observe outside the ring to be certain there is nothing going on, like a loose dog that might adversely affect your ring or compromise safety. Keeping an extra slip lead at your table in case it is needed for a roaming dog from sits/downs or a loose dog at the show site is wise. Ask your exhibitors prior to sits/downs if anyone has a dog that is shy/reserved if you had to catch it, or if an exhibitor has a dog that could be problematic with the adjacent dogs (amorous, aggressive, roaming, talkative). Dogs should enter in catalog order, but you have the right to move a dog to the end of the line or add more space between dogs to make your ring safer for all involved.

YOUR VERBAL AND SIGNAL COMMANDS

Always ask if the exhibitor has any questions or concerns, and then wish the exhibitor good luck. Once an exhibitor tells you they are ready, you may begin with the first command at which time judging then commences. Your tone of command and your hand signals should be clear and concise and easily understood. Advise your exhibitor that if they cannot hear you, have a problem seeing you, or become confused that they should stop and ask you to repeat the command. Commands to be given are listed in the rulebook; you should not deviate from the verbal commands.

During the heeling exercise, utilization of a clicker to count points off as the team performs is not recommended as it can be very distracting to the handler and the dog both.

GROUP EXERCISES

You may immediately excuse from further competition any dog that disturbs, or threatens to disturb another dog during the performance of the group exercises. Note the reason for the excusal in your judge's books.

HANDLERS

Remember, handlers may be allowed to excuse themselves from competition for any reason. Handlers may do this before, during or after their individual exercises.

DOG AGRESSION

You **MUST** expeditiously handle any incidence of dog aggression you evidence towards people or other dogs.

EXCUSAL: As evidenced by you, you should excuse a dog that attacks another dog or appears to you to be threatening to other dogs in the ring/trial area. Further you may excuse a dog that shows any sign it may not be safely approached or

examined. (NOTE: If a dog has been excused two times for an incidence of dog aggression, it will fall under the disqualification rules. It is not your responsibility to tell this to the dog owner or handler. A notification of disqualification will be sent to the owner by the Business Office after review by the Board of Directors.)

DISQUALIFICATION: As evidenced by you, you should disqualify a dog that attacks or attempts to attack a person in the ring/trial area. Once done, post a sign indicating your ring is on a break (hopefully you can do all paperwork and notifications within a fifteen minute period of time). This dog shall be ineligible to participate in any ASCA® event in ANY discipline, unless and until that dog is approved for further competition and reinstated by the Board of Directors. Therefore, if the dog you disqualified is entered in other events that same day (or cluster), this dog may not compete in anything once you have disqualified it. Please have one of your stewards locate the Show Committee Chair or Show Secretary and have them come to your ring where you can explain the disqualification. The Show Chair or Show Secretary may then timely notify those in charge of the other events held that day or within that cluster that this dog may no longer compete.

Attach an explanation utilizing the disqualified or excused dog forms.

PROBLEMATIC HANDLERS

Your decisions and scoring are final. Do not engage in arguing or lengthy explanations. If a handler has a complaint such that a simple explanation from you was not sufficient, please ask the handler to visit with you and the show secretary following the conclusion of the trial. Be courteous. Refer to and utilize your rulebook to make AND to back up all your decisions.

Once in a while, you will have an exhibitor in your ring that is not prepared for the class they entered. ASCA® shows are sanctioned, and therefore corrections or teaching in the ring are forbidden. You have the right to excuse a team for lack of preparation. More often this happens in sub novice but it can also happen in the upper divisions. Avoid giving advice during the trial. You may ask a team to see you following the trial at which time you may advise them.

QUALIFIERS

Remember to let your exhibitor know if they have qualified. Sometimes you'll be doing this after sits/downs and other times immediately after the individuals.

AWARDS

Let your stewards know how you wish to present the awards. Will the steward hand you the ribbons and awards to present, or will you name the winner and they hand the winnings to that team? When addressing the audience and exhibitors, be sure you've stated the minimum required to qualify and give the name of the class. Always ask who has earned their first leg? Second leg? Third leg? Title? Bonus Legs? Remind your class winners that they are qualified for high in trial (aussie or other breed or overall) so they don't leave the show site.

WHEN THE SHOW IS DONE

Publicly thank your stewards, the show secretary and the club, plus the exhibitors who showed to you. Encourage folks to participate in obedience. Then let exhibitors know you are available for any questions they might have following win pictures.

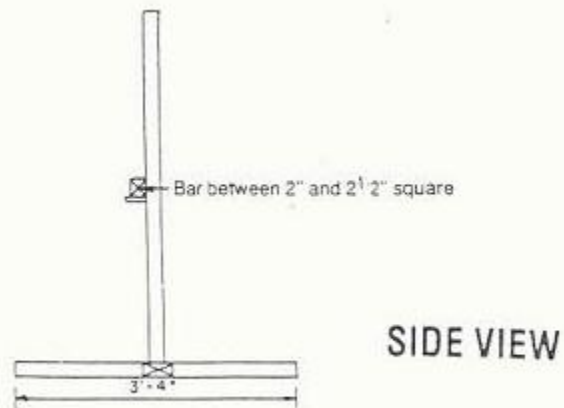
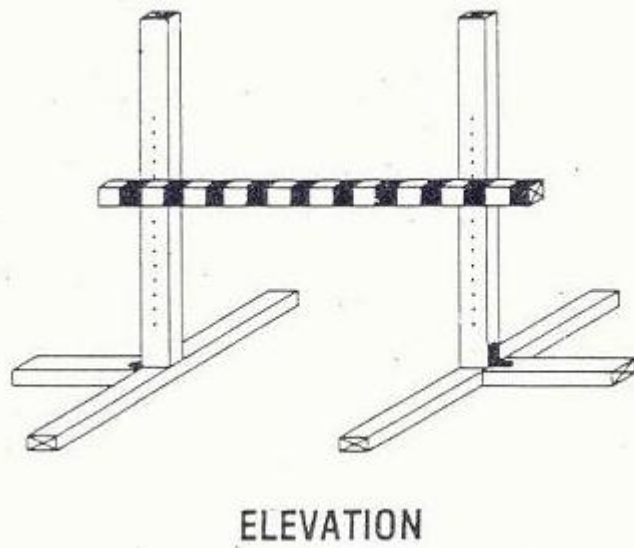
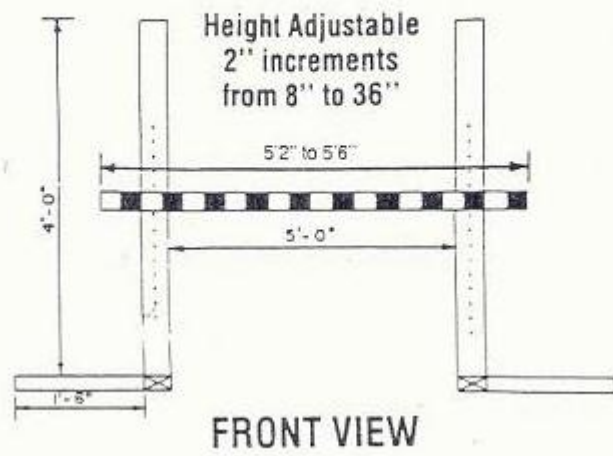
EDUCATION

You are encouraged to attend workshops and seminars on obedience. It is your responsibility to be current on all rules and regulations.

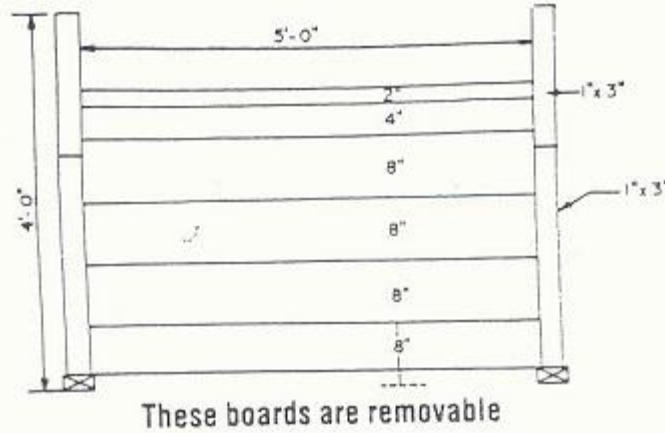
SENDING A THANK YOU NOTE

Once you are back home, it is nice to send a thank you note to a club. They have many judge choices, and this time they chose "you." Let them know you appreciated the opportunity to judge for them.

SUGGESTED CONSTRUCTION OF BAR JUMP

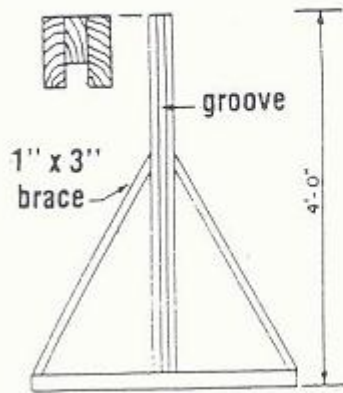


SUGGESTED CONSTRUCTION OF HIGH JUMP



FRONT VIEW

top view of groove

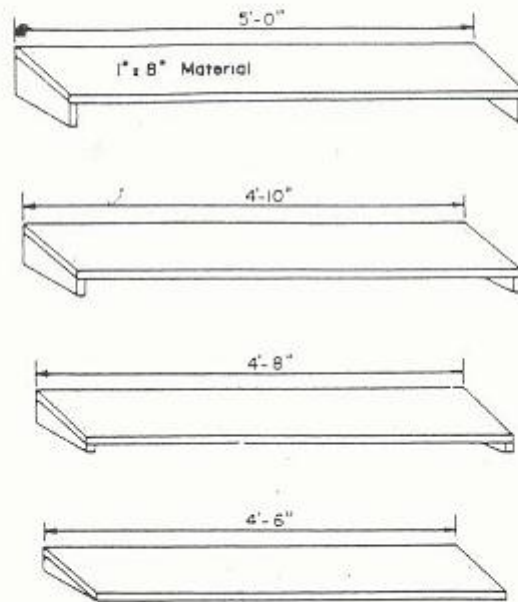


This upright consists of two pieces 1" x 3" and one piece 1" x 2", nailed together, with the 1" x 2" forming the groove for the boards to slide in.

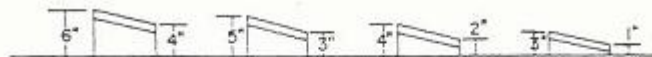
SIDE VIEW

The high jump must be painted a flat white.

SUGGESTED CONSTRUCTION OF BROAD JUMP



ELEVATION



END VIEW OF
FOUR HURDLES

ASCA® DISPUTE RULES

Disputes Defined

In these rules, the term “dispute” means any controversy, claim, complaint, dispute, appeal, disciplinary matter or the like which is related to ASCA®, its objectives, or its activities; either between members of the Australian Shepherd Club of America (ASCA® or the Club), ASCA®’s Affiliates claiming violation of its program rules, or policies.

Matters Not Subject to the Dispute Rules

Disagreements or disputes relating to the following matters are not subject to these Dispute Rules or its process:

Breeder-Buyer or Co-Owner Disputes

ASCA® does not resolve Breeder-Buyer disputes or disputes between co-owners of dogs. ASCA® will only enforce the judgments or decisions of a court of competent jurisdiction when any such dispute is raised, unless otherwise provided for in the ASCA® Registry Rules.

Complaints Against Judges

Complaints about the conduct of an ASCA® Judge relating to such Judge’s conduct as a Judge are not subject to these Dispute Rules. If remediable at the time of the show or trial, a complaint concerning the conduct of an ASCA® Judge at such show or trial should be brought to the attention of the Show or Trial Committee. Any other such complaint should be addressed to the Executive Secretary who shall advise the ASCA® Board. The Board shall use its discretion in determining how to proceed and whether the matter should be referred to the appropriate program committee.

Urgent complaints concerning judges should be brought informally (without filing a form) to the Show or Trial Committee for ruling and appropriate action.

Breeder’s Code of Ethics

The Breeder’s Code of Ethics is a statement of conduct and principles that ASCA® requires all breeders of Australian Shepherds to adhere to in order to maintain the integrity of the Australian Shepherd and ASCA®’s registry. Any complaint relating to a violation of ASCA®’s Breeder’s Code of Ethics shall not be subject to these Dispute Rules.

Registry Issues

The Board retains the authority to handle a registry issue at any time without the filing of a formal dispute.

Jurisdiction

ASCA® intends that disputes be resolved quickly and fairly. To this end, ASCA® has established two tiers of dispute resolution: Affiliate level proceedings and Board level proceedings. All disputes shall be resolved according to these Rules. In order to file a dispute, the ASCA® member must be in good standing with the Club.

Affiliate Jurisdiction

Disputes involving any of the following rules and authorities shall be addressed in the first instance to the affected Affiliate club for resolution.

- The Affiliate's own bylaws, rules and procedures,
- The ASCA® Stockdog Rules and Regulations,
- The ASCA® Conformation Show Rules and Regulations,
- The ASCA® Tracking Rules and Regulations,
- The ASCA® Agility Rules and Regulations,
- The ASCA® Rally Rules and Regulations,
- The ASCA® Obedience Rules and Regulations, and
- The ASCA® Junior Rules and Regulations

ASCA® Board Jurisdiction

All other disputes, including those involving the ASCA® registry, the ASCA® Bylaws, or a claim against an Affiliate, must be addressed in the first instance to the ASCA® Board for resolution. A dispute not resolved satisfactorily at the Affiliate level may be appealed to the Board. The Board may, in its sole discretion, investigate and assume or decline jurisdiction over any dispute involving the Club. At the Board's request, an Affiliate shall immediately yield jurisdiction to the Board. The Board may, in its discretion, transfer dispute resolutions to a committee established for such purpose. Any dispute determination made by the Board or its committee shall be final and is not subject to appeal.

Procedure

Urgent Disputes Before Affiliates

An urgent dispute is one which will become moot if not resolved within a very short time. An example would be a dispute which involves the conduct of a show presently in progress. Expedited procedures are appropriate for such disputes.

Complaints

Any ASCA® member in good standing may raise an urgent dispute before an Affiliate by a written complaint using the Official Complaint Form delivered to an officer or director of the Affiliate. When extreme urgency makes a written complaint not practical, a complaint may be made orally and later followed with a written version. There is no fee for filing an urgent complaint.

Hearing

The Affiliate shall promptly convene a hearing before an appropriate body, such as its Board of Directors or a show committee, unless otherwise stated in the program rules. The hearing officials may conduct any inquiry they deem necessary to resolve the dispute. As examples, they may review documents; question witnesses; examine dogs, kennel conditions, breeding records, and the like. Extended investigations and lengthy hearings are discouraged in the case of urgent disputes.

Due Process

Hearing officials shall convey the complaint to any party accused and afford such party a reasonable opportunity to respond to the charges, bearing in mind the expedited nature of the process. This provision does not assume or admit that the Affiliate is bound by any state or U.S. Constitutional requirement of due process. The hearing officials shall make a good faith effort to obtain factual information concerning the dispute from both the Complainant and the Respondent.

Decision

The hearing officials shall reach and announce their decision at the earliest possible time, normally at the initial hearing, and in every case within 24 hours of receiving the complaint. A dated, summary, written notice of the decision shall be delivered promptly to the parties. This notice determines the date of decision for purposes of further proceedings. The decision upon a matter handled as an urgent dispute may be appealed to the Affiliate; such an appeal shall be handled as if it were an ordinary dispute before an Affiliate.

Timing

The following timelines shall apply to urgent disputes before an Affiliate:

What	When
Filing of urgent complaint	At time of event giving rise to complaint – Immediately, if possible
Payment of filing fee	There is no fee for filing an urgent dispute
Notice to opposing parties	Handled by hearing officials
Response by Respondent	Respondent afforded reasonable opportunity to respond to charges at the hearing
Decision by hearing officials	Normally at the time of the hearing and always within 24 hours of receiving complaint
Appeal to Affiliate as an ordinary dispute	Within 7 days of decision by hearing officials

The hearing officials may summarily rule against any party who fails to comply with these timelines.

Ordinary Disputes Before Affiliates

An ordinary dispute is one which does not require immediate resolution, or an appeal to an Affiliate of the decision upon an urgent dispute. In order to prevent unnecessary characterization of a dispute as urgent, an Affiliate may, in its sole discretion, treat any dispute as ordinary. Ordinary disputes shall be resolved using the following procedures.

Complaints and Answers

Any ASCA® member in good standing may raise a dispute before an Affiliate by filing a written complaint using the Official Complaint Form delivered to an officer or director of the Affiliate, and paying a filing fee of \$50.00 to the Affiliate. A party accused in a complaint may file a written answer.

Due Process

Any party filing a complaint or answer with an Affiliate must also serve copies upon the other party. Delivery of copies shall be made by either personally serving, mailing by both first class mail and certified mail, return receipt requested, faxing, or delivering by common carrier, such as Federal Express or UPS, a copy of the complaint or answer together with a statement, signed by the party, that such complaint or answer has been filed with the Affiliate. Hearing officials shall afford the Respondent a reasonable opportunity to respond to the charges against him or her. This provision does not assume or admit that the Affiliate is bound by any state or U.S. Constitutional requirement of due process. The hearing officials shall make a good faith effort to obtain factual information concerning the dispute from both the Complainant and the

Respondent. Each party shall be provided all written materials submitted by the other party to the Affiliate prior to deliberations.

Deliberations

Deliberations shall be conducted before an appropriate body, such as the Affiliate’s Board or a committee designated by the Affiliate. The hearing officials may conduct any inquiry they deem necessary to resolve the dispute. As examples, they may review documents; question witnesses; examine dogs, kennel conditions, breeding records and the like; and may request briefs (written statements and/or explanation and argument) from the parties.

Memo of Decision

A dated summary, written notice of the decision shall be delivered promptly to the parties. This notice determines the date of decision for purposes of further proceedings.

Timing

The following timelines shall apply to ordinary disputes before an Affiliate:

What	When
Filing of ordinary complaint	Within 21 days of discovery (knowledge) of an event which is the basis of the; complaints must be filed within one year of the date of the occurrence of the event
Payment of filing fee	\$50.00 due when complaint or appeal is filed
Notice to opposing parties	Parties must provide notice to their opponents as set forth in Section 3.2.2
Filing answer to complaint	Within 21 days of the date of mailing of the complaint to the other party
Deliberations by Affiliate	Within 21 days of last day for timely filing of answer to complaint
Decision by Affiliate	Within 7 days of deliberations
Appeal to ASCA® Board	Within 21 days of Affiliate decision

The Affiliate may summarily rule against any party who fails to comply with these timelines.

Disputes Before the ASCA® Board

The following rules shall govern disputes over which the ASCA® Board assumes jurisdiction:

Complaints and Appeals

Any ASCA® member in good standing may raise a dispute before the Board by filing a written complaint or appeal using the Official Complaint Form delivered to the Executive Secretary of ASCA®. A party accused in a complaint or appeal may file a written answer. Every dispute raised before the Board, whether an original complaint or an appeal, must be accompanied by a \$100.00 filing fee. Original complaints involving the Registry Rules brought before the Board are exempt from the filing fee.

Temporary Measures in Urgent Cases

When necessary to preserve its power to decide a dispute, the Board may impose immediate temporary measures to remain in effect pending its decision. For example, if a complaint alleges that dogs infected with a disease have been entered in a competition, the Board may suspend competition privileges for the affected animals pending its decision.

3.3.3 Notice to Respondent

Upon receipt of a complaint, the Executive Secretary shall notify the Board and shall deliver a Notice of the filing of the Complaint and a copy of the complaint, together with a copy of the Dispute Rules, to the opposing party, known as the Respondent, at the last known address of the Respondent in ASCA®'s records. The Notice shall state that the Respondent must file a written answer, together with written materials which support the Respondent's position, which shall be filed with the Executive Secretary within 21 days from the date of mailing of Notice of filing by the Executive Secretary.

3.3.4 Argument

All disputes shall be submitted for decision on written statements and arguments (briefs). The Board may, in its discretion, request oral argument, person or by telephone.

3.3.5 Due Process

The Board or its committee shall afford the Respondent a reasonable opportunity to respond to the charges. The Executive Secretary shall provide each party with copies of all written materials submitted by the other party prior to deliberation by the Board. This provision does not assume or admit that ASCA® is bound by any state or U.S. Constitutional requirement of due process.

3.3.6 Deliberations and Decision

After the expiration of the time for the parties to have submitted their materials for consideration, the Executive Secretary shall submit the matter, along with all materials submitted by the parties and all other relevant information in ASCA®'s possession, to the Board for decision. No motion nor second shall be required for the Board to act. Deliberation shall be conducted by the Board or

its committee, which shall consist of not less than three Directors appointed by the President. The Board or its committee shall issue a written decision.

3.3.7 Memo of Decision

A written notice of the decision shall be delivered promptly to the parties upon the decision becoming final. Decisions made by a committee of the Board may be reviewed by the entire Board within 7 days of issuance upon the request of at least three (3) Directors, or they become final and not subject to further appeal. All decisions made by the Board are final and are not subject to appeal. If additional facts or evidence arise, either party may resubmit the dispute as a new dispute pursuant to these Dispute Rules.

Timing

The following timelines shall apply to disputes before the Board and appeals from decisions of Affiliates:

What	When
Filing a complaint	Within 21 days of discovery (knowledge) of an event giving rise to complaint; complaints must be filed within one year of the date of the event
Filing of appeal from Affiliate action	Within 21 days of Affiliate's decision
Payment of filing fee	\$100.00, due at time of filing of complaint
Notice to opposing parties	Provided by ASCA® pursuant to Section 3.3.3
Filing answer to complaint or appeal	Within 21 days of the date of mailing notice to Respondent by the Executive Secretary
Deliberations by Board	21 days after last day for timely filing of answer
Decision by Board	Within 21 days of deliberations

The Board or its committee may summarily rule against any party who fails to comply with these timelines.

Sanctions

In addition to rectifying or affirming the event complained of, an Affiliate may impose sanctions against either party involved in the complaint.

Affiliate Sanctions

An Affiliate may do any one or more of the following as a sanction:

Reprimands

The Affiliate may issue a public or private reprimand.

Recommendations to the ASCA® Board

The Affiliate may recommend that the ASCA® Board investigate a dispute or impose a sanction.

Fines

The Affiliate may assess reasonable fines, not to exceed \$100.

ASCA® Board Sanctions

In addition to rectifying or affirming the event complained of, the Board of Directors may impose sanctions against either party involved in the complaint.

The ASCA® Board has general authority to enter any sanction which is appropriate to the circumstances; for example, and without limiting that general authority, the Board may do any one or more of the following things as a sanction.

Reprimands

The Board may issue a public or private reprimand.

Suspension

The Board may suspend any privilege granted by ASCA® or an Affiliate for any length of time. By way of example, *but not of limitation*, the Board may: exclude persons and/or dogs from participation in any event conducted by ASCA® or an Affiliate for any length of time; prohibit Affiliates from hosting shows; exclude participation in or use of the ASCA® registry; revoke registry papers; refuse to accept advertising in ASCA® publications; or suspend delivery of ASCA®'s official newsletter.

Fines

The Board may assess reasonable fines not to exceed \$1000.00.

Enforcement of Board Sanctions

All ASCA® Affiliates shall honor sanctions imposed by the Board and shall refrain from taking actions which tend to minimize or lessen such sanctions. For example, if a member is suspended from participating in competitions, Affiliates shall prohibit such participation.

Notice of Sanctions

Final decisions imposing sanctions against any ASCA® member shall be published in the official ASCA® newsletter.



Established 1957

AUSTRALIAN SHEPHERD CLUB OF AMERICA

6091 E. State Hwy 21
Bryan, TX 77808

(979) 778-1082
FAX (979) 778-1898

www.ASCA®.org

manager@ASCA®.org

If you find the need to file a dispute or find that you are involved in a dispute, what follows is a summary of the ASCA® dispute process.

The ASCA® Complaint Form is included with each sanctioning packet sent to Affiliate Clubs. The Event Committee should have copies of the form on the grounds of all events or the form is available on request from the ASCA® Business Office.

FIRST DECIDE WHAT TYPE OF DISPUTE IT IS

There are 3 types of ASCA®

- 1) Urgent
- 2) Ordinary
- 3) ASCA® Board jurisdiction---appeals from affiliate disputes and disputes originating with the ASCA® Board regarding the ASCA® Bylaws and ASCA® Registry.

URGENT DISPUTES

URGENT disputes are for violations in the process of being committed. They involve violations of affiliate bylaws or rules or ASCA® program rules.

- 1) Complaint is filed on an Official Complaint Form. Only in an extreme emergency may it be filed orally. Oral complaints must be followed up in writing on the Official Complaint Form. NO FEE is required with an Urgent Complaint.
- 2) A hearing body is chosen. This is normally either the club Board of Directors or the Event Committee.
- 3) The complaint is delivered to the accused by the hearing body.
- 4) The hearing body conducts the hearing as soon as possible. Any necessary inquiry will be pursued by the hearing officials. Long investigations and hearings are discouraged in urgent disputes.
- 5) Both parties are allowed to state their case. Both parties may be questioned by the hearing body.
- 6) The hearing body will reach a decision.
- 7) The hearing body announces their decision as soon as possible. Normally this would occur immediately following the hearing. In no case will it be delayed more than 24 hours from the filing of the complaint.

- 8) Both parties receive the decision in writing.
- 9) Either party may appeal within 7 days of the decision.
- 10) Appeals are handled as "ordinary" disputes.

ORDINARY DISPUTES

ORDINARY disputes do not require immediate attention. An Affiliate may designate an urgent dispute as ordinary if the dispute is not truly urgent.

- 1) Written complaint is submitted on the Official Complaint Form.
- 2) Form is delivered to an Officer or Director of the Affiliate Club within 21 days of discovery of the event with a \$20.00 filing fee.
- 3) Copy of complaint is given to the accused by the party filing the complaint.
- 4) Accused files an answer within 21 days of effective date of complaint (either day of sending by US Certified Mail or common carrier, day of confirmed receipt by fax or day of delivery by personal messenger).
- 5) Affiliate will deliberate within 21 days of last day for filing of an accused person's answer.
- 6) Affiliate reaches a decision within 7 days of start of deliberations.
- 7) Any appeal must be filed within 21 days of the Affiliate's decision. Appeals must be filed with the ASCA® Board.

ASCA® BOARD JURISDICTION

ASCA® BOARD JURISDICTION occurs with appeals from Affiliate decisions and violations involving the ASCA® Registry Rules or ASCA® Bylaws.

- 1) Fill out the Official Complaint Form within 21 days of discovery of the event. In the case of appeals, the Form must be submitted within 7 days of the Affiliate decision.
- 2) Deliver to the ASCA® Executive Secretary with the \$100.00 filing fee. (Complaints regarding Registry Rules violations are exempt from the filing fee.)
- 3) Deliver a copy of the complaint to the accused (see section 5 of the Dispute Rules).
- 4) The accused may file a written answer within 21 days of the effective date of the complaint or appeal. The Board must allow the accused a reasonable opportunity to meet the charges.
- 5) The accused may give oral arguments. The Board may require the parties to pay the costs of Board travel and lodging related to an oral hearing.
- 6) The Board deliberates within 21 days of the last day for filing an answer by the accused.
- 7) The Board delivers dated notice of the decision to both parties within 7 days of the deliberation.
- 8) Arbitration concerning a Board decision must be initiated within 21 days of the Board decision (see Dispute rules--3.4)

This Help Sheet is not intended as a substitute for the Dispute Rules. Complete Dispute Rules

can be found in the back of every ASCA® program rulebook. It is required that copies of the Dispute Rules and Complaint Forms be available at any ASCA® sanctioned event.

Resolve problems yourself without a formal complaint whenever possible. Failing that, use this form to bring a complaint before an affiliate or the ASCA® Board under ASCA®'s Dispute Rules. This is a formal procedure. You must read and follow the Dispute Rules. Complete each space, or your complaint will not be processed.

Australian Shepherd Club of America

Complaint Form

<i>Your Name</i>	<i>Names of parties about whom you are complaining.</i> You must serve a copy of this complaint to everyone you name here (Dispute Rules section 3.2.3 and 3.3.5). The hearing officials will serve these parties for you only in the case of urgent disputes before affiliates (Dispute Rules section 3.1.3).	
<i>Today's Date</i>	<i>Date of event giving rise to this complaint</i>	<i>Date you first learned of the event</i> <i>Dispute Rules section 3.2.5 and 3.3.7</i>
<i>State the grounds for your complaint. Include reference to ASCA® rules, regulations and bylaws which have been violated. Confine your statement to this space if possible. Lengthy statements are discouraged.</i>		
<i>Dollar amount of certified check or money order which accompanies this form (Dispute Rules section 3.2.1 and 3.3.1). No money is required for urgent disputes before affiliates (Dispute Rules section 3.3.1).</i>		\$
<i>Sign here. By doing so you certify that you have attempted to resolve this dispute informally and that you have served parties with this complaint as required.</i>		✕